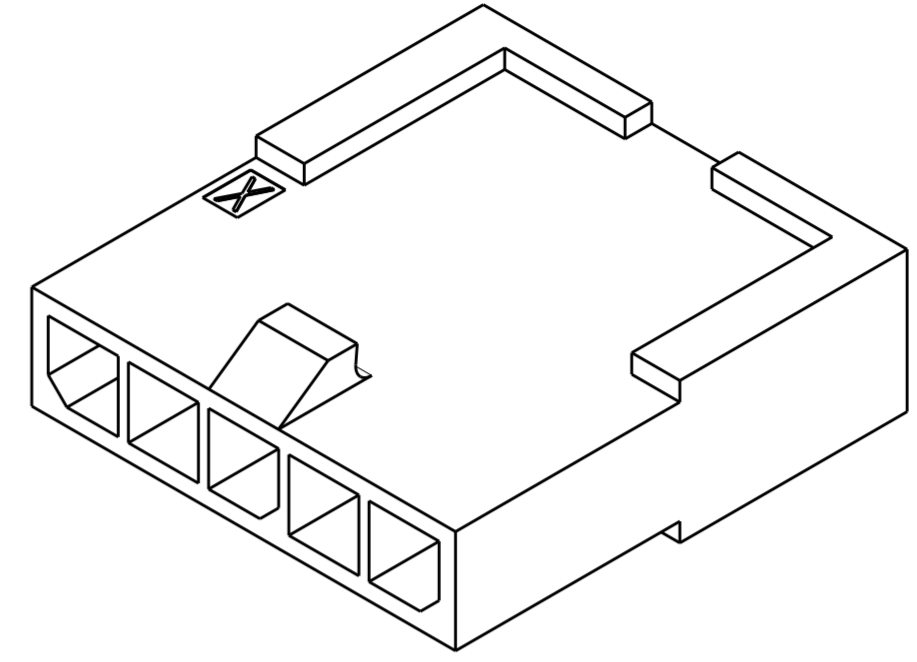
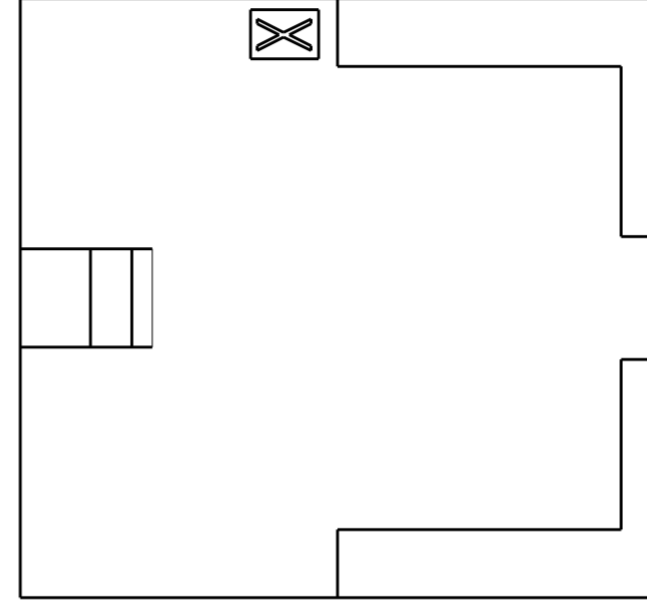


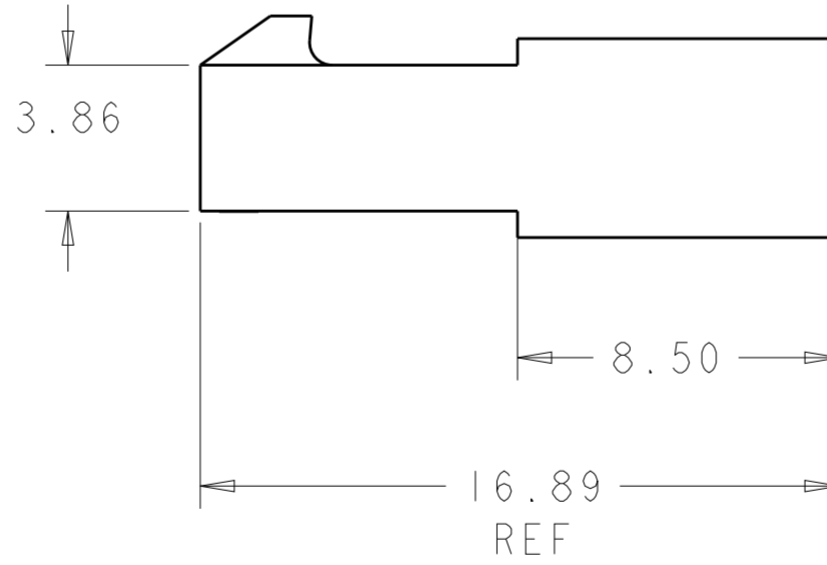
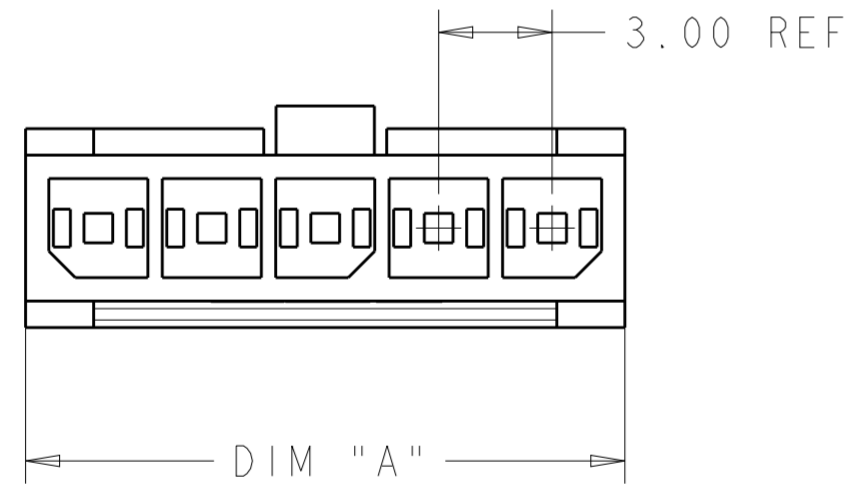
THIS DRAWING IS UNPUBLISHED. RELEASED FOR PUBLICATION 20
 © COPYRIGHT 20 ALL RIGHTS RESERVED.

LOC	DIST	REVISIONS					
CM	00	P	LTR	DESCRIPTION	DATE	DWN	APVD
		P		REVISED PER ECO-11-005294	06APR2011	RK	HMR
		PI		REVISED PER ECR-15-015291	22DEC2015	SC	ZD

- 1 MATERIAL NYLON66/6 V0 UL94
- 2 MATERIAL PA66 V0 GW UL94.
- 3 PRELIMINARY PART NOT RELEASED FOR PRODUCTION.



SCALE 5:1



2 3	12.85	4	2-1445049-4	
	9.85	3	2-1445049-3	
	6.85	2	2-1445049-2	
	36.85	12	1-1445049-2	
1	33.85	11	1-1445049-1	
	30.85	10	1-1445049-0	
	27.85	9	1445049-9	
	24.85	8	1445049-8	
	21.85	7	1445049-7	
	18.85	6	1445049-6	
	15.85	5	1445049-5	
	12.85	4	1445049-4	
	9.85	3	1445049-3	
	6.85	2	1445049-2	
	REMARK	DIM A	NO. OF POS.	PART NUMBER

METRIC

THIS DRAWING IS A CONTROLLED DOCUMENT.

DWN W J RUDY 29AUG2000	TE Connectivity
CHK W DAVIS 29AUG2000	
APVD W DAVIS 29AUG2000	
PRODUCT SPEC 108-1836	
MATERIAL NYLON, BLACK UL94V-0	NAME PLUG HOUSING, 2 TO 12 POSITION, SINGLE ROW, FREE HANGING, MICRO MATE-N-LOK™
TOLERANCES UNLESS OTHERWISE SPECIFIED: 0 PLC ± 1 PLC ± 2 PLC ±0.13 3 PLC ± 4 PLC ± ANGLES ± FINISH	SIZE A200779
MATERIAL NYLON, BLACK	RESTRICTED TO
CUSTOMER DRAWING	SCALE 5:1 SHEET 1 OF 1 REV PI