

LEDRR70X70-78587 Ring Light



High-Intensity LED Ring Light for use with



- Integrates directly to Fanuc Robotics IRVision
- Compact ring light includes bracket that directly mounts to a SONY XC-56 camera
- Four extremely bright LEDs for illumination of targets beyond two meters
- Continuous or strobed operation
- Dual intensity control: pot and analog wire
- Maintenance-free, rugged construction



Ring Light Wire	External Power Supply
Brown	+24V dc
Blue	dc common
White	+24V dc (strobe)
Black	dc common (strobe)
Gray	0-10V dc Intensity control

Specifications

Light Source. Four visible red (627 nm) high-intensity LEDs

Illumination. 610 mm (24") diameter usable light pattern at 1 m

Strobe. Optically isolated; active low

Supply Voltage and Current

Operating Voltage: 24V dc \pm 10%

Strobe Voltage: 5-24V dc at 10 mA maximum

Current Draw at Full Intensity: 350 mA max

Intensity Control Voltage: 0-10V dc

Built-in constant current regulator for LEDs

Dual Intensity Control

Potentiometer and analog wire: pot controls maximum intensity; analog wire controls intensity from maximum brightness

(0V dc) to dark (10V dc) at 10 mA max

Connections

200 mm (8 inches) integral pigtail with 5-pin male Euro-style connector

Construction

Enclosure rating: IP50

Housing: aluminum, black anodized

Window: acrylic, clear with frosted diffusing surface on inside

Bracket: CR steel, black. Attaches ring light directly to camera with two screws (included with light)

Useful Life

50,000 hours (LED ON time)

When operated within specifications, output will decrease less than 30% after 50,000 hours.

Operating Conditions

Temperature: 0° to +50° C (+32° to 122° F)

Relative humidity: 90% (non-condensing)

Certification



Dimensions

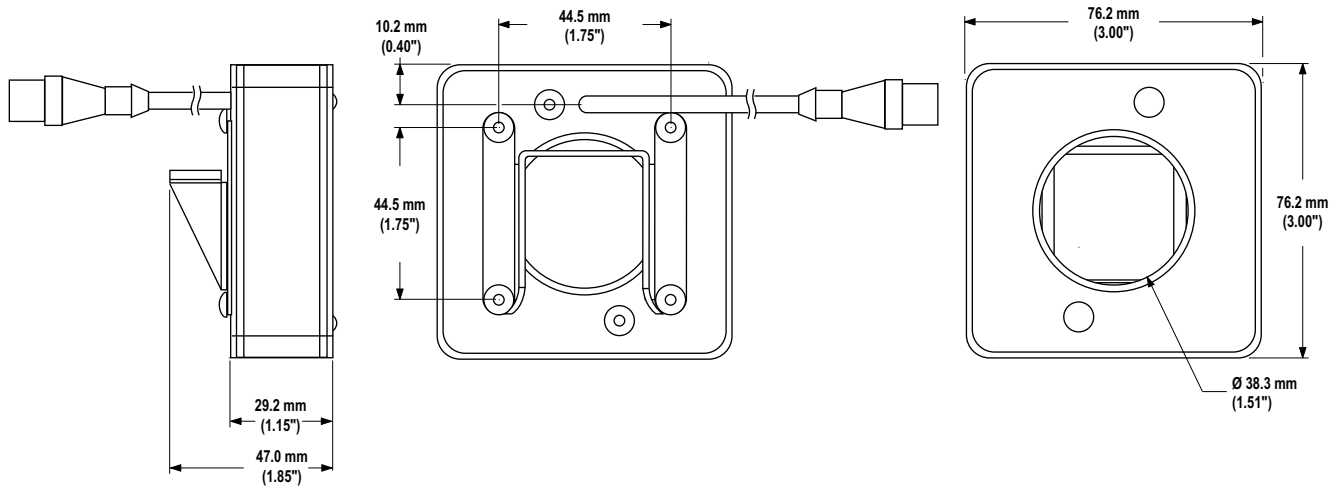


Figure 1. Ring light dimensions



more sensors, more solutions

Banner Engineering Corp. warrants its products to be free from defects in material and workmanship for one year following the date of shipment. Banner Engineering Corp. will repair or replace, free of charge, any product of its manufacture which, at the time it is returned to the factory, is found to have been defective during the warranty period. This warranty does not cover damage or liability for misuse, abuse, or the improper application of the Banner product.

THIS LIMITED WARRANTY IS EXCLUSIVE AND IN LIEU OF ALL OTHER WARRANTIES WHETHER EXPRESS OR IMPLIED (INCLUDING, WITHOUT LIMITATION, ANY WARRANTY OF MERCHANTABILITY OR FITNESS FOR A PARTICULAR PURPOSE), AND WHETHER ARISING UNDER COURSE OF PERFORMANCE, COURSE OF DEALING OR TRADE USAGE.

This Warranty is exclusive and limited to repair or, at the discretion of Banner Engineering Corp., replacement. **IN NO EVENT SHALL BANNER ENGINEERING CORP. BE LIABLE TO BUYER OR ANY OTHER PERSON OR ENTITY FOR ANY EXTRA COSTS, EXPENSES, LOSSES, LOSS OF PROFITS, OR ANY INCIDENTAL, CONSEQUENTIAL OR SPECIAL DAMAGES RESULTING FROM ANY PRODUCT DEFECT OR FROM THE USE OR INABILITY TO USE THE PRODUCT, WHETHER ARISING IN CONTRACT OR WARRANTY, STATUTE, TORT, STRICT LIABILITY, NEGLIGENCE, OR OTHERWISE.**

Banner Engineering Corp. reserves the right to change, modify or improve the design of the product without assuming any obligations or liabilities relating to any product previously manufactured by Banner Engineering Corp.