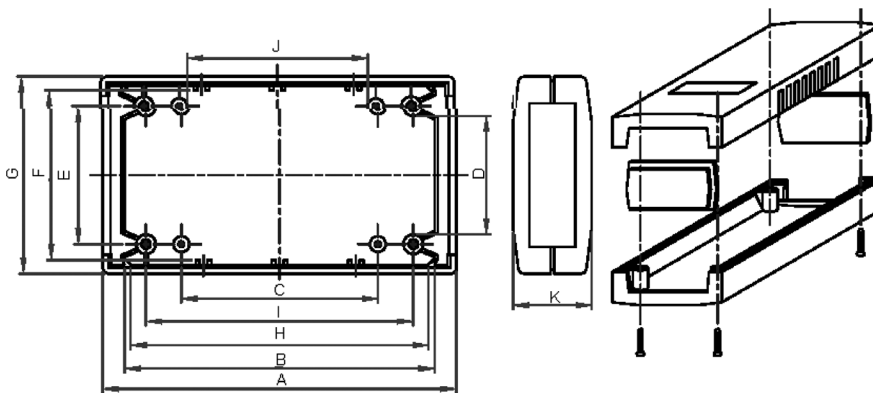




### Specifications:

Material : Acrylonitrile Butadiene Styrene (ABS) UL94-V0  
 Base / Cover-Colour : Dark Grey (RAL7000)  
 Panel-Colour : Light Grey (RAL7035)

### Diagram



### Part Number Table

A	B	C	D	E	F	G	H	I	J	K	Part Number
90	83	50	27.5	35	40.5	50	79.4	68	42.5	16	G401
										24	G403
										32	G404
120	111	80	26	35	44	60	108	98	72	30	G407
										40	G410
										50	G412
150	138	110	46	55	64	80	138	128	100	30	G413
										45	G416
										60	G418
190	180	150	65	75	83	100	176	168	140	40	G421
										60	G422
										80	G425

Dimensions : Millimetres

**Important Notice :** This data sheet and its contents (the "Information") belong to the members of the AVNET group of companies (the "Group") or are licensed to it. No licence is granted for the use of it other than for information purposes in connection with the products to which it relates. No licence of any intellectual property rights is granted. The Information is subject to change without notice and replaces all data sheets previously supplied. The Information supplied is believed to be accurate but the Group assumes no responsibility for its accuracy or completeness, any error in or omission from it or for any use made of it. Users of this data sheet should check for themselves the Information and the suitability of the products for their purpose and not make any assumptions based on information included or omitted. Liability for loss or damage resulting from any reliance on the Information or use of it (including liability resulting from negligence or where the Group was aware of the possibility of such loss or damage arising) is excluded. This will not operate to limit or restrict the Group's liability for death or personal injury resulting from its negligence. Multicomp Pro is the registered trademark of Premier Farnell Limited 2019.