

**MATERIAL**

AISI 316 stainless steel, sandblasted matte finish.

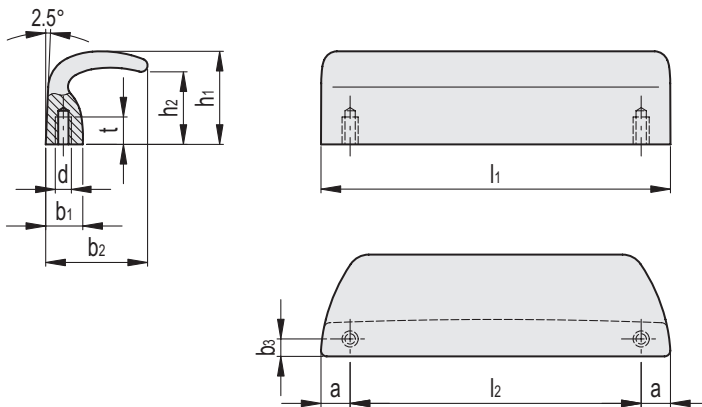
**STANDARD EXECUTION**

Threaded blind holes.

**APPLICATIONS**

GN 730.5 handles are particularly suitable for use in applications in corrosive environments.

The handle profile is made so as not to allow the deposit of fluids, making it easier to clean and preventing the accumulation of unhealthy residues. The handle can be assembled from the back side by means of screws or welding.



- 1
- 2
- 3
- 4
- 5
- 6
- 7
- 8
- 9
- 10
- 11
- 12
- 13
- 14
- 15
- 16
- 17
- 18

Code	Description	l1	l2	d	b1	b2	b3	a	h1	h2	tmin	
GN.27736	GN 730.5-A4-120-GS	120	100	M6	12.5	35	6	10	32	25	9	347