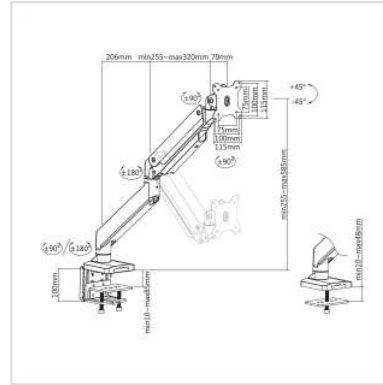
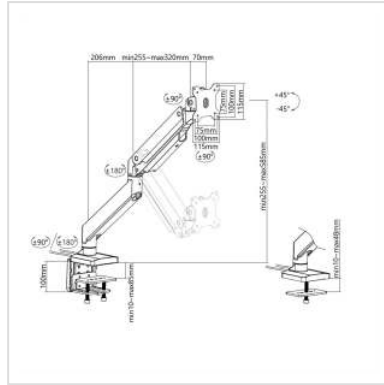


ROLINE LCD Monitor Stand Pneumatic, Desk Clamp, Pivot, max. 15 kg, 5 Joints

Product No.	17.03.1116
Manufacturer	ROLINE
Manufacturer No.	17.03.1116
EAN (single piece)	7630049611979



LCD monitor arm, for easy and reliable adjustment of a monitor weighing up to 15kg (weight adjustment between 1kg and 15kg) and VESA 75/100!

- Delicate and streamlined design
- Made of high quality aluminum alloy
- Gas spring integrated allows users to move the LCD panel in most positions at will
- Meets VESA 75 (75x75 mm) or VESA 100 (100x100 mm)
- Special feature: Pivot function - screen is 90 degrees rotatable
- Small desktop mount saves space
- A clever cable management is built into the rear arm

Specifications:

- Arm extension: ~ 526mm
- Monitor pivot: 180°
- Rotation: 180° (arm & display)
- Loading capacity: <=15kg

Technical specifications

Manufacturer	ROLINE
Product group	LCD-Monitor arms
Product type	Monitor Arms, Desk Clamp
Colour	black

Load capacity	<=15kg
Quantity of pivots	5
Fixing	Desk clamp
Maximal arm length	526mm
Adjustments	Gas spring
VESA 75 x 75 mm	Yes
VESA 100 x 100 mm	Yes
Technical particularity	Pivot functionality