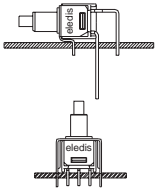




## SERIES 6A

- Sub-miniature pushbutton



## AGENCY APPROVALS



## CHARACTERISTICS

- A tiny switch suitable for most miniature equipments.
- High current switching up to 3 Amps @ 120 VAC or 28 VDC.

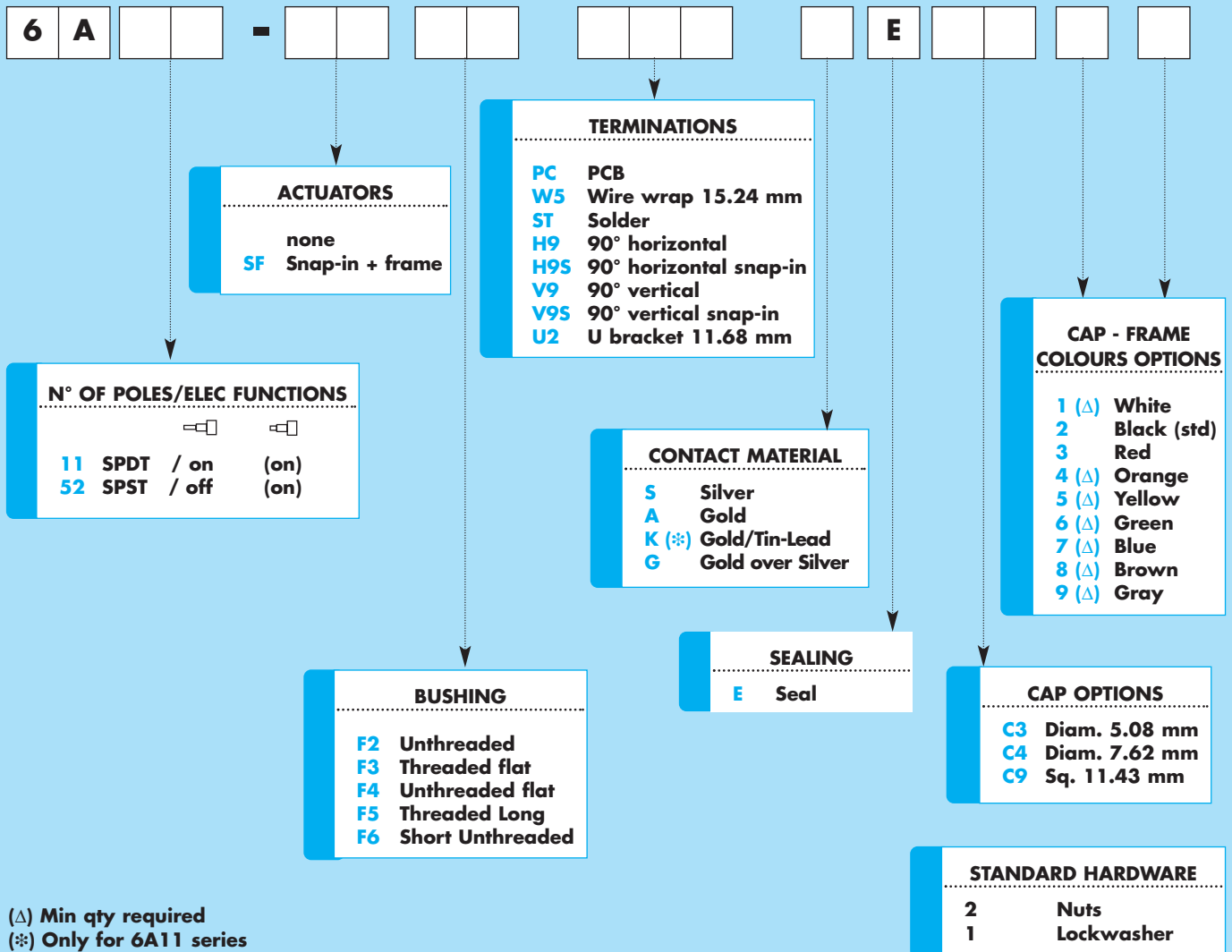
## SPECIFICATIONS

**Contact Rating:** **S** (silver) - 3A @ 120 VAC or 28 VDC - 1A @ 250 VAC - **A** (gold) or **K\*** (gold/tin-lead) - 0.4 VA max @ 20 VAC or DC max  
**Electrical life:** 60,000 make and break cycles at full load  
**Contact Resistance:** 20 mΩ max. initial @ 2-4 VDC - 100 mA, for both silver and gold plated contacts  
**Insulation Resistance:** 1000 MΩ min.  
**Dielectric Strength:** 1500 VRMS @ sea level  
**Operating Temperature:** -30°C to 85°C

## MATERIALS

**Case:** Dially phthalate (DAP)  
**Plunger:** Thermoplastic polyester - black  
**Bushing:** Brass nickel plated  
**Terminal support:** Brass, electrotin plated  
**Housing:** Stainless Steel

## HOW TO ORDER

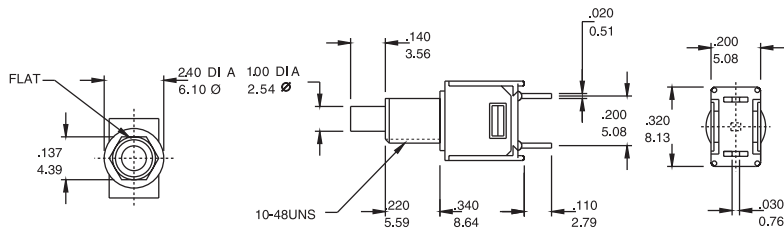


## SERIES 6A

### ELECTRICAL FUNCTIONS

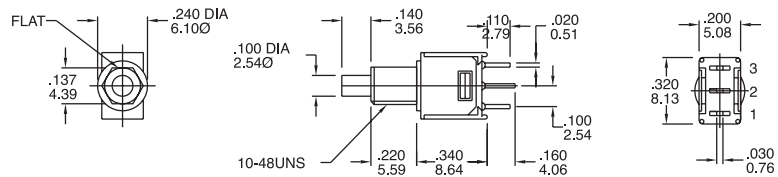
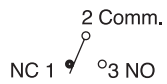
### DIMENSIONS

SPST	Type
<b>5 2</b>	<b>off (on)</b>



Part N° shown: **6A52-F3TSE**

SPDT	Type
<b>1 1</b>	<b>on (on)</b>
<b>2 - 1</b>	<b>2 - 3</b>



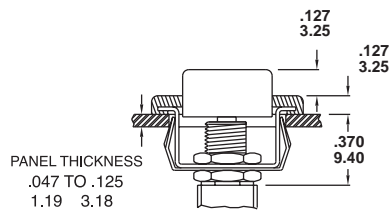
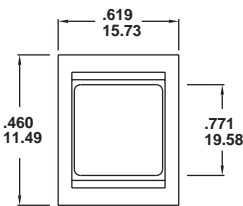
Part N° shown: **6A11-F3TSE**

### ACTUATORS

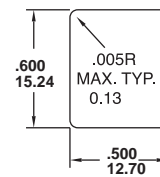
#### SF

Snap-in front panel mounting (only with SPST model)

Add colour to P/N



Frame: black colour only

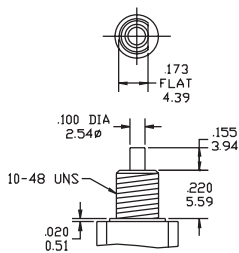


#### ACTUATOR COLOURS

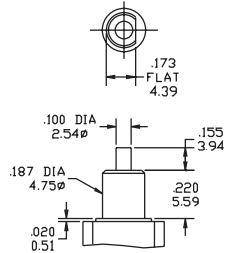
- 1 (Δ) White
- 2 Black (std)
- 3 Red
- 4 (Δ) Orange
- 5 (Δ) Yellow
- 6 (Δ) Green
- 7 (Δ) Blue
- 8 (Δ) Brown
- 9 (Δ) Gray

### BUSHING

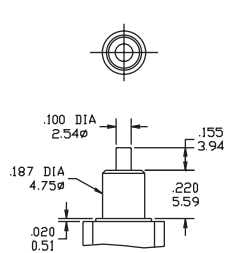
#### F3



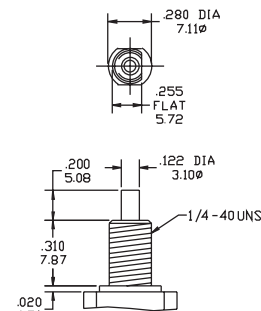
#### F4



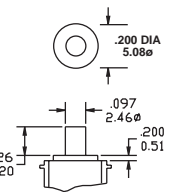
#### F2



#### F5



#### F6



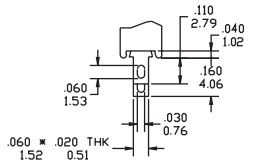
(Δ) Min qty required



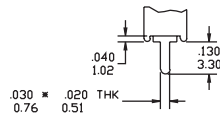
SERIES 6A

TERMINATIONS

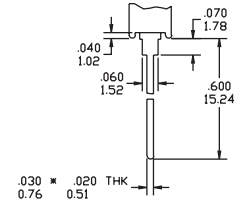
ST



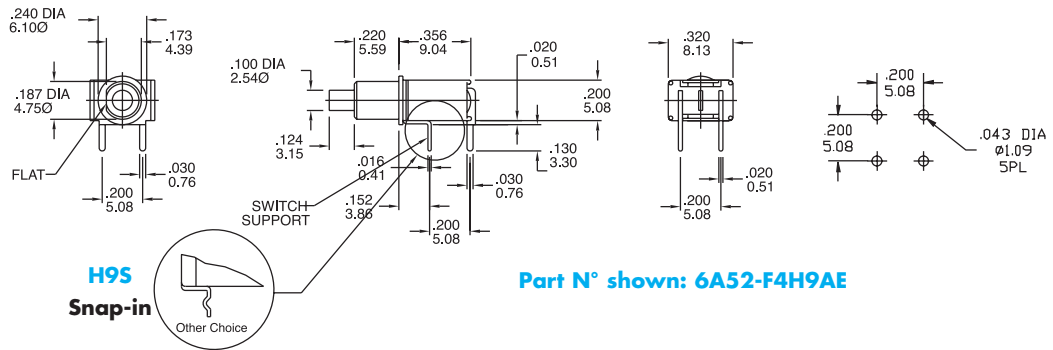
PC



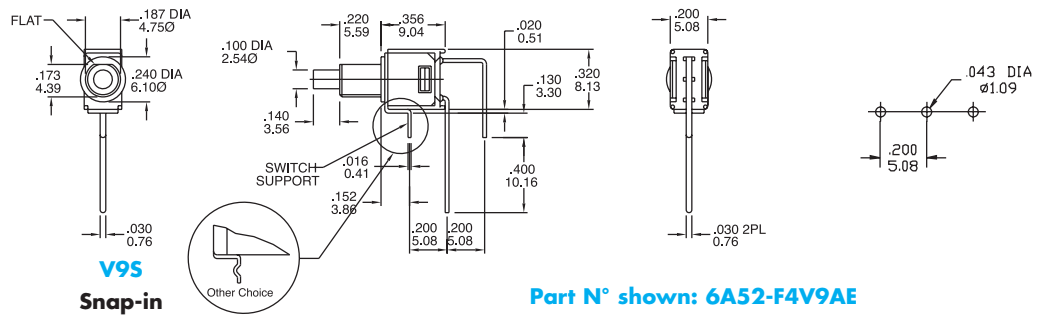
W5



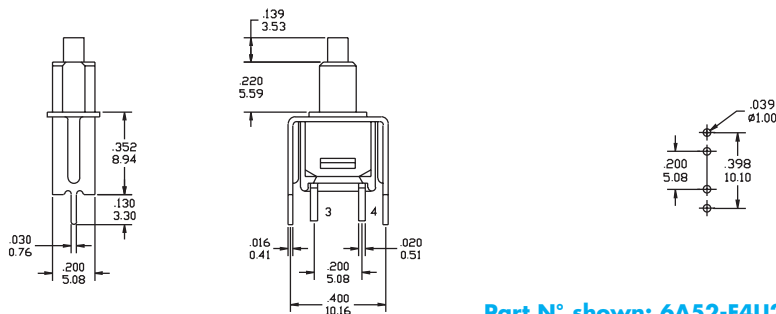
H9  
SPST



V9  
SPST



U2  
SPST

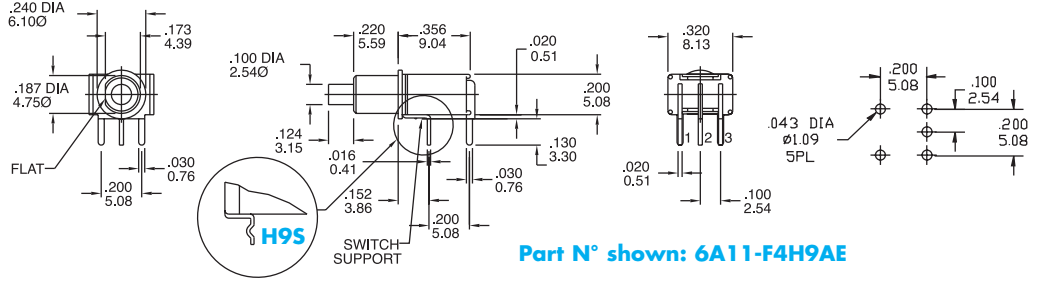


**SERIES 6A**

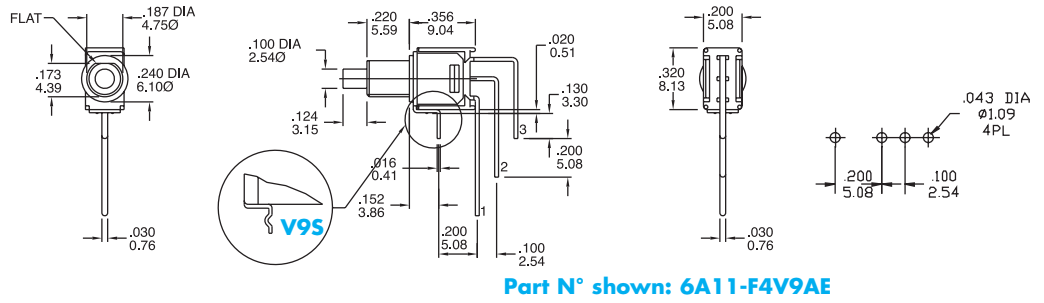
**TERMINATIONS**

PUSH BUTTONS

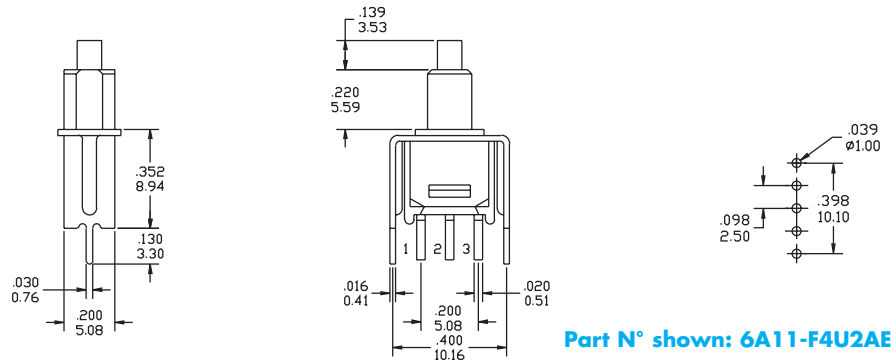
**H9  
SPDT**



**V9  
SPDT**



**U2  
SPDT**





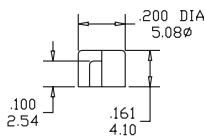
## SERIES 6A

### CONTACT MATERIALS

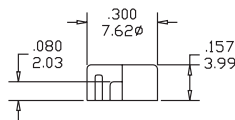
### CONTACT RATINGS

- S** **Moving Contacts:** coin silver, silver plated  
**Center Contacts and all Terminals:** brass, silver plated  
**Rating:** 3 Amps with resistive load @ 120 VAC or 28 VDC  
 1.5 Amps with resistive load @ 250 VAC
- A** **Moving Contacts:** brass, gold plated over nickel plate  
**Terminals:** brass, gold plated over nickel plate  
**Rating:** 0.4 Volts/Amps max @ 20 Volts max (AC or DC)
- K** Same as **A**, but with pre-tinned terminals
- G** **Moving Contacts:** gold plating over silver  
**End Terminals:** gold plating over silver  
**Center Terminals:** gold plating over copper alloy, silver plated

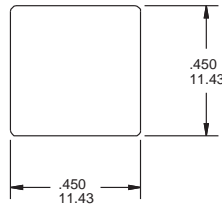
### CAP OPTIONS



**C3**



**C4**



**C9**

#### CAP + FRAME COLOURS OPTIONS

- 1 (Δ) White
- 2 Black (std)
- 3 Red
- 4 (Δ) Orange
- 5 (Δ) Yellow
- 6 (Δ) Green
- 7 (Δ) Blue
- 8 (Δ) Brown
- 9 (Δ) Gray

#### Part Number

Colour

(Δ) Min qty required

### PACKAGING

#### Transparent Trays 15x21x4 cm



Qty per tray: (ST, PC Terminals)  
 Series 6A1x 500 pcs

### MARKING (on products)

The switches are individually marked with the following information:

- Side 1** TRADE MARK  
 SERIES AND MODEL  
 DATE CODE
- Side 2** RATING  
 CONTACTS

Note: Not all information may be available on some products.

### LABELLING (on packaging)

The label on each tray gives full information on the products contained.

P/N: EL.FNC.: Q.TY: DATE CODE:	  <small>Made in Taiwan</small>
Remarks	

A Bar code indicating Model, Quantity, Date Code enables easy traceability.