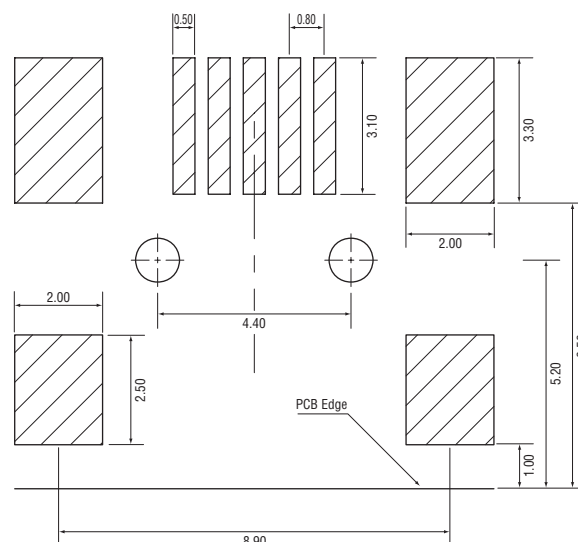
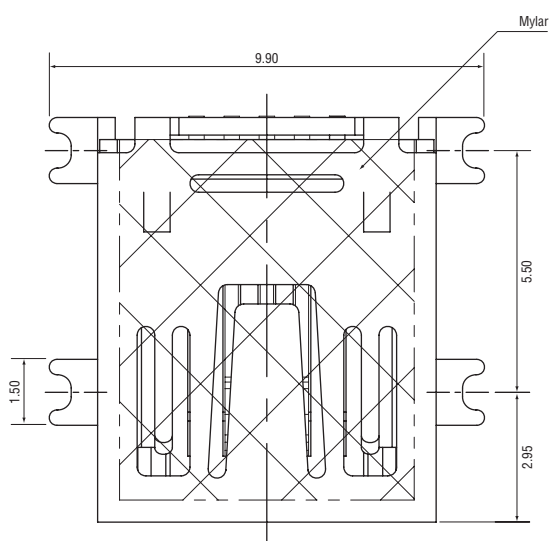
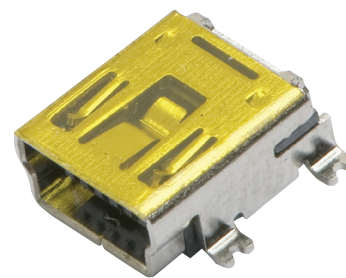
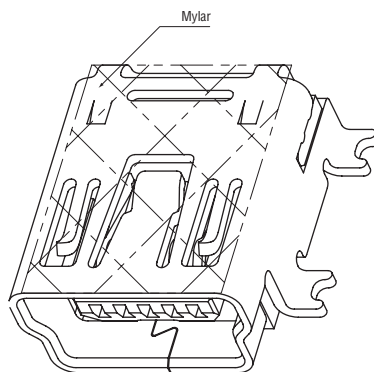


Specifications:

Contact resistance: 30mΩ max.

Insulator resistance: 100mΩmin.

Dielectric strength: 100VAC for 1 minute



Recommended PCB Layout (tolerance = ±0.05)

