

Plunge milling cutter for non-ferrous metals and plastics

For milling cutter indexable inserts VCGT 2205..

ATORN[®]

Application

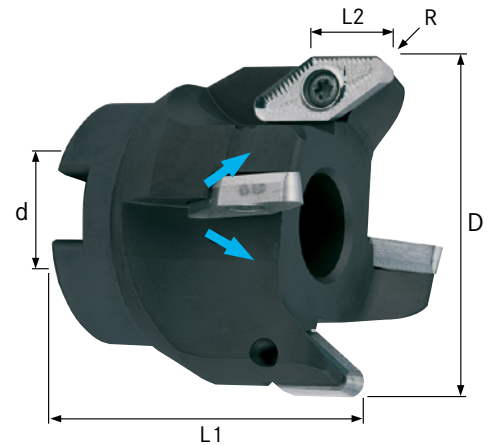
Ideal for processes such as excavation and plunge milling in aluminium and plastics with the highest usage values. The robust and precision-ground VPGT/VCGT reversible tip is ideal for plunge milling without a pilot bore thanks to its optimised shape and cutting geometry. Excellent chip removal thanks to polished cutting faces and large chip spaces; enables high cutting rates with minimal built-up edge formation.

Version

- Robust support design for high-performance milling
- With internal cooling
- Clamping screw tightening torque (indexable insert) $M5 = 8 \text{ Nm}$

Advantage

- Low cutting forces
- Large corner radii for reduced wear
- Very high material removal rate
- Highest feed rates possible
- Also ideal for cutting plastics



Art. No.	16032 052
Cutting edge diameter	52 mm
Length	55 mm
Bore diameter	22 mm
max. ap	15 mm
Number of cutting edges	3 PCS

EAN-Code

4050293061918