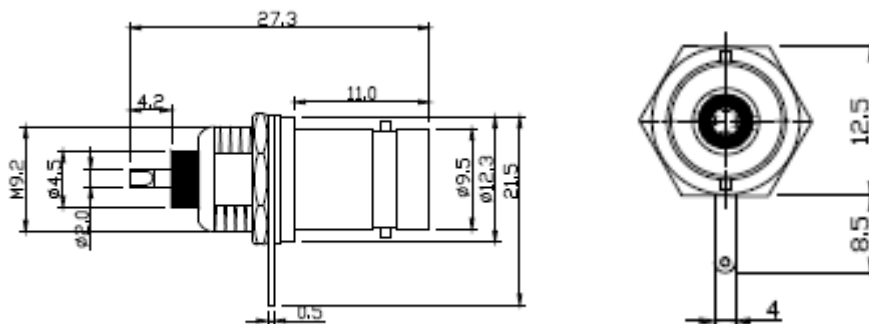


Data Sheet

BNC connector Socket, vertical vertical 50 Ω



Technical data

Connector: BNC Socket, vertical

Impedance: 50 Ω

Material: Brass, nickel plated

Insulation material: PTFE