



KPOE-800HP



Industrial 8-Port Mid-span Power over Ethernet Injector

The KTI Injector is a mid-span power injector designed and tested for use with all IEEE802.3af and IEEE 802.3at compatible PoE Powered Devices (PD). The PoE injector sits between a switch port and the PoE powered device, providing inline power capability to an unpowered switch port. The injector can support eight PoE PDs and deliver up to 30W power to each PD over Cat.5..

The 8-port injector can enhance existing installed Ethernet switches with PoE functionality easily. The installation is plug & play and no need any software configuration. The installation cost is less than upgrading to new PoE switches.

The 8-port injector is interoperable with all Ethernet switches from different switch vendors, and end powered devices which comply with typical PoE 802.3af and high power 802.3at standard. It protects your existing network installation and future investment as well

Key Features:

- Supports 8 Ethernet ports
- IEEE 802.3at compliance
- Gigabit Ethernet support
- Transparent to switch functionality
- Redundant power support
- Standard user safety protection
- 19" rack mounting support

Specifications:

| | |
|---------------------|---|
| Network Ports | 8 connections to switched ports (DATA IN) |
| PD Connections | 8 connections to powered devices (PoE OUT) |
| Compatible Ethernet | Ethernet, Fast Ethernet & Gigabit Ethernet |
| PoE Standard | IEEE 802.3at compliance |
| Data IN Jacks | Shielded RJ-45 IEEE 802.3, 10Base-T, 100Base-TX, 1000Base-T std. Hot-plug support |
| PoE OUT Jacks | Shielded RJ-45 IEEE 802.3, 10Base-T, 100Base-TX, 1000Base-T std. Hot-plug support |
| PoE OUT Cable | 4-pair Cat. 5, 5e, or 6 Distance mid-span up to 100 meters |
| PoE OUT Voltage | DC IN voltage range (+44 ~ +57V) RJ-45 pin 4/5 (positive) and pin 7/8 (negative) |
| PoE OUT Power | 600mA max. per port (34W@+57V, 30W@+50V) |



Ordering Informations:

KPOE-800HP-BRACKET1

19" rack mounting bracket kit for 1 unit mounting

KPOE-800HP-BRACKET2

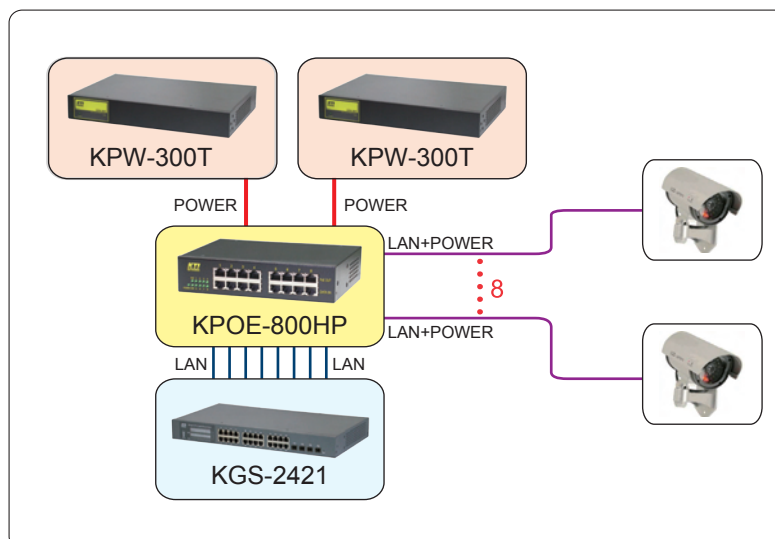
19" rack mounting bracket kit for 2 units mounting

KPW-300T

1U Rack Mountable 300W Switching Power Supply for PoE/PoE+ applications

| | |
|-------------------|--|
| PoE Protection | Power shut down protection for events: Incompliant PD detection, Disconnection, Overload, Over-current Short-circuit |
| DC IN A, DC IN B | Input A & Input B redundant support Connectors: Industrial terminal blocks (3P x 2, A & B) Working voltage range: +44 ~ +57V |
| Power Consumption | 276W max. @57VDC |
| Power Dissipation | 2W max. |
| LED Indicators | Power status, Power fault status x 2 (A & B) Port PoE Status x 8 |
| Dimension | 190 x 140 x 43 mm (WxDxH) |
| Housing | Enclosed metal with no fan |
| Mounting Support | 19" rack mountable |
| Temperature | Operating Temperature: -40°C ~ 70°C Storage Temperature: -40°C ~ 85°C Relative Humidity: 5% ~ 95% non-condensing |
| Approval | FCC Class A, CE mark Class A |

Applications:



FCC Part 15, Class A
CISPR 22 Class A

Katron Technologies Inc.

15F-7, No. 79, Sec. 1, Hsin Tai Wu Rd.,
Hsi-chih District, New Taipei City, Taiwan
Tel: 886-2-2698-3878
Fax: 886-2-2698-3873
E-mail: kt@ktinet.com.tw
URL: <http://www.ktinet.com.tw>

KTI Networks Inc.

10415-A Westpark Drive, Houston,
TX 77042. U.S.A.
Tel: 1-713-266-3891
Fax: 1-713-914-0555
E-mail: contact@ktinet.com
URL: <http://www.ktinet.com>

Trademarks: All brand names are trademarks or registered trademarks of their respective holders.
This information is subject to change without prior notice.