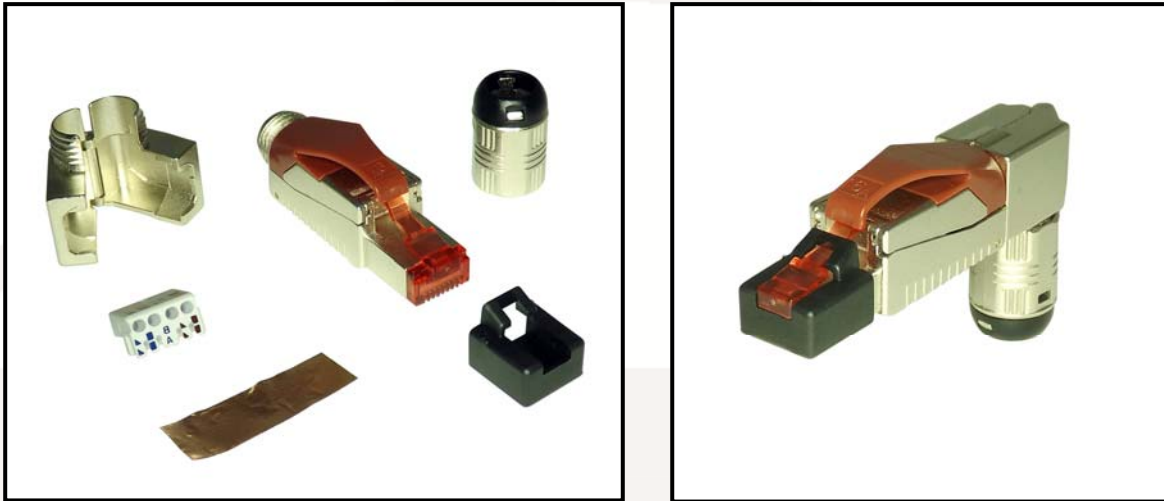


## Category 6A 5 Direction Field Termination Plug



### **Category 6A Field Termination Plug (PGS90)**

This fully shielded Category 6A plug with zinc alloy housing offers 5 way entry design with quick, easy and reliable termination.

#### ***Features***

- Flexible cable entry design offering assembly in any one of five directions
- High quality connectors ensure system reliability and easy assembly
- High performance data throughput, meets Category 6A data transfer rates
- Suitable for assembly of angled patchleads
- Easy assembly – suitable for field termination, especially Modular Plug Terminated Link installations
- Colour coded to enable T568A & T568B wiring
- Insertion force : 30N max
- Retention strength : 7.7kg between jack and plug
- Operating temperature: -10° C to 60° C
- Suitable for cable O.D. 6.0 – 7.5mm
- Suitable for 23 – 26 AWG / 0.40 – 0.57 mm stranded or solid core (minimum 20 installation cycles)
- Mating cycles: 750 minimum

### **Specifications**

- Weight: 34 grams
- Dimensions: 66.4x13.8x35.9mm
- Colour: Silver
- Material: Body: nickel-plated die-cast zinc  
RJ45 contacts: 50 $\mu$ "/1.27 $\mu$ m gold-plated phosphor bronze  
Tape: copper foil
- Supplied with dust cap and wire management bar

**Packaging:** Individually packed in poly bags, then in bags of 10

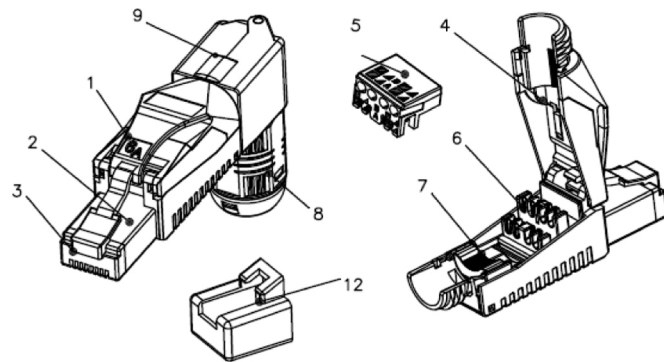
**Commodity code:** 8544411000

**EAN:** 5055386507099

ROHS Compliant

Code: **PGS90**

Category 6A 5 Direction  
Field Termination Plug



Drawing Number: P8-084

SCALE 1/1

Specification :

Material :

1. Extractor : PC, UL 94V-2, Transparent red color(Pantone 1935C).
2. Housing : Zinc die-Casting with nickel plated.
3. RJ45 plug :
  - 3-1. Housing : PC, UL 94V-2, Transparent red color(Pantone 1935C).
  - 3-2. Contact material : Phosphor bronze with 100 micro-inch nickel plated.
  - 3-3. Contact finish : Min. 50 micro-inch gold plated on surface contact area.
4. Cover : Zinc die-casting with nickel plated.
5. Wire management bar : PC, UL 94-V2, white color.
6. IDC :
  - 6-1. Housing : PC, UL 94-V2, white color.
  - 6-2. Terminal : Titanium copper with tin plated.
7. Grounding contact : Zinc die-casting with nickel plated.
8. Boot :
  - 8-1. Housing : Zinc die-casting with nickel plated.
  - 8-2. SR : PC, UL 94V-2, transparent color.
  - 8-3. CAP : PC, UL 94V-2, black color.
9. Angle cap : Zinc die-casting with nickel plated.
10. PCB, UL 94-V0.
11. Copper foil tape.
12. Dust cap : PE, black color.

Performance :

- a. T568A & T568B wiring.
- b. Insertion force : 30N max. (IEC 60603-7-5).
- c. Retention strength : 7.7 kg between jack and plug.
- d. Operating temperature : -10. C to 60. C. (ISO/IEC 11801, ANSI/TIA 568 C.2).
- e. Life(mating cycles) :
  - e-1. 750 cycles min. (ISO/IEC 11801, IEC 60603-7-5).
  - e-2. IDC : Suitable for 23-26AWG stranded and solid wire, min. 20 installation cycles.
- f. Suitable for cable jacket OD : 6.0-7.5mm.

