

# Patch panels - FL-PP-RJ45/RJ45-B



2904933

<https://www.phoenixcontact.com/pc/products/2904933>

Please be informed that the data shown in this PDF document is generated from our Online Catalog. Please find the complete data in the user documentation. Our General Terms of Use for Downloads are valid.



Patch panel, narrow overall width, extended temperature range, two RJ45 jacks, 1:1 assignment, all-around shield, CAT5, 10/100 Mbps, DIN rail adapter, IP20

## Product Description

Ethernet patch panels enable quick and easy connection between the field cabling and control cabinet cabling. The passive termination panels are a convenient alternative to the on-site assembly of RJ45 connectors.

## Your advantages

- CAT5e
- Mounting on a DIN rail
- 10/100 Mbps
- Easy and convenient extension for RJ45 cable
- 1:1 connection
- Extended temperature range of -40 °C ... 85 °C
- PoE-capable in accordance with IEEE 802.3bt, type 4
- Slim design

## Commercial Data

Item number	2904933
Packing unit	10 pc
Minimum order quantity	1 pc
Product Key	DNC331
Catalog Page	Page 363 (C-6-2019)
GTIN	4046356900836
Weight per Piece (including packing)	40.43 g
Weight per Piece (excluding packing)	40 g
Customs tariff number	85366990
Country of origin	DE

# Patch panels - FL-PP-RJ45/RJ45-B

2904933

<https://www.phoenixcontact.com/pc/products/2904933>

## Technical Data

### Product properties

Product type	Patch panel
--------------	-------------

### Interfaces

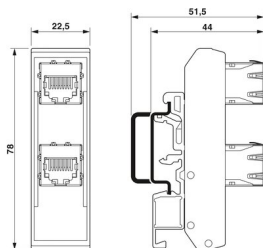
Data: Ethernet interface, 10/100/1000Base-T(X) in accordance with IEEE 802.3

Serial transmission speed	10/100 Mbps
Connection method	RJ45 CAT5
No. of channels	1
Pin assignment	1:1
Transmission length	100 m (including patch cables)

Data: Ethernet interface, 10/100/1000Base-T(X) in accordance with IEEE 802.3

Connection method	RJ45 CAT5
No. of channels	1

### Dimensions

Dimensional drawing	
Width	22.5 mm
Height	78 mm
Depth	44 mm

### Material specifications

Color	green
Material	PA 6.6-FR (Housing)

### Connector

Insertion/withdrawal cycles	≤ 2500
-----------------------------	--------

### Cable / line

Cable impedance	100 Ω
-----------------	-------

### Environmental and real-life conditions

Ambient conditions

Degree of protection	IP20
Ambient temperature (operation)	-40 °C ... 85 °C

# Patch panels - FL-PP-RJ45/RJ45-B



2904933

<https://www.phoenixcontact.com/pc/products/2904933>

Ambient temperature (storage/transport)	-40 °C ... 85 °C
Ambient temperature (assembly)	-40 °C ... 85 °C
Permissible humidity (operation)	25 % ... 95 % (non-condensing)

## Approval data

### Corrosive gas test

Identification	ISA-S71.04-1985 G3 Harsh Group A
----------------	----------------------------------

## Mounting

Mounting type	DIN rail mounting
---------------	-------------------

# Patch panels - FL-PP-RJ45/RJ45-B

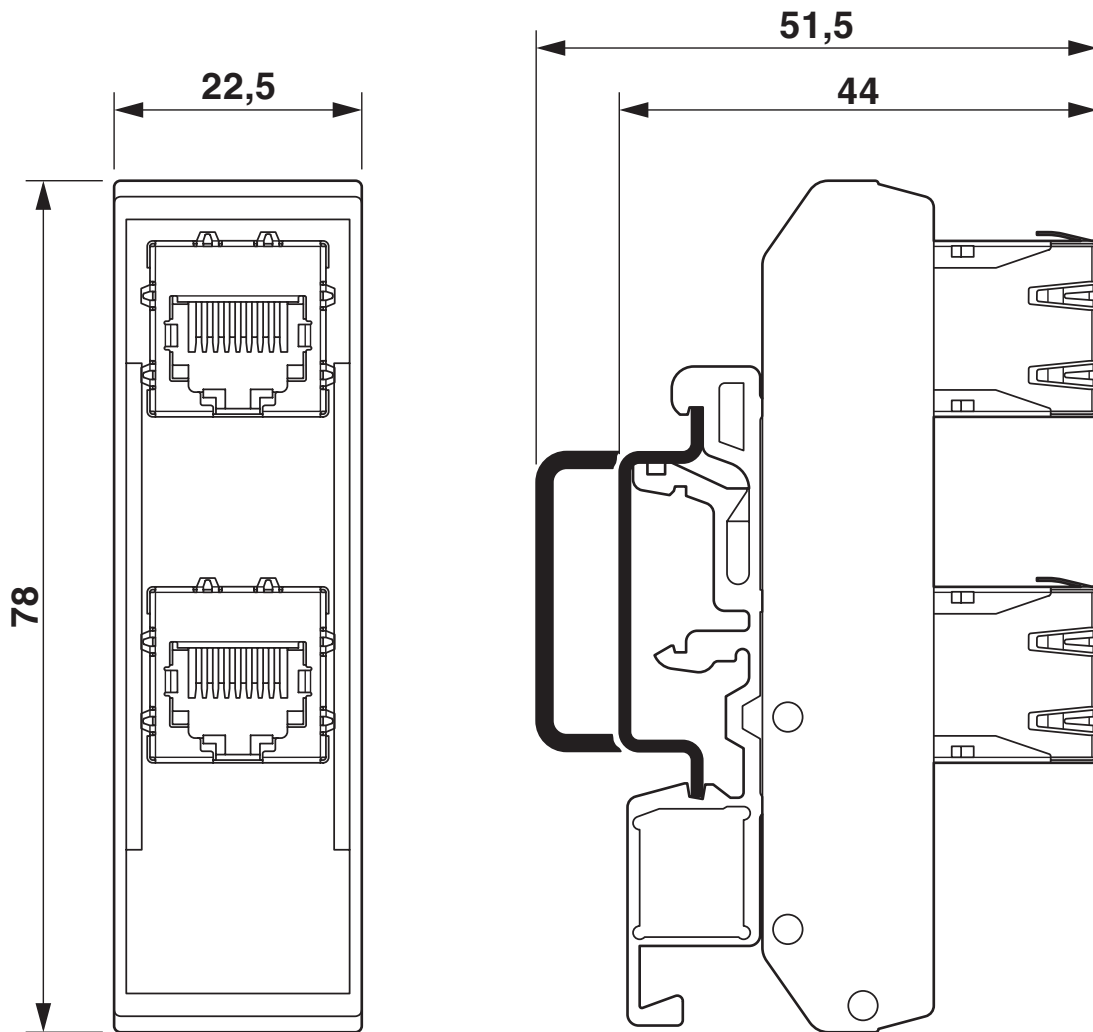
2904933

<https://www.phoenixcontact.com/pc/products/2904933>



## Drawings

Dimensional drawing



Slim design

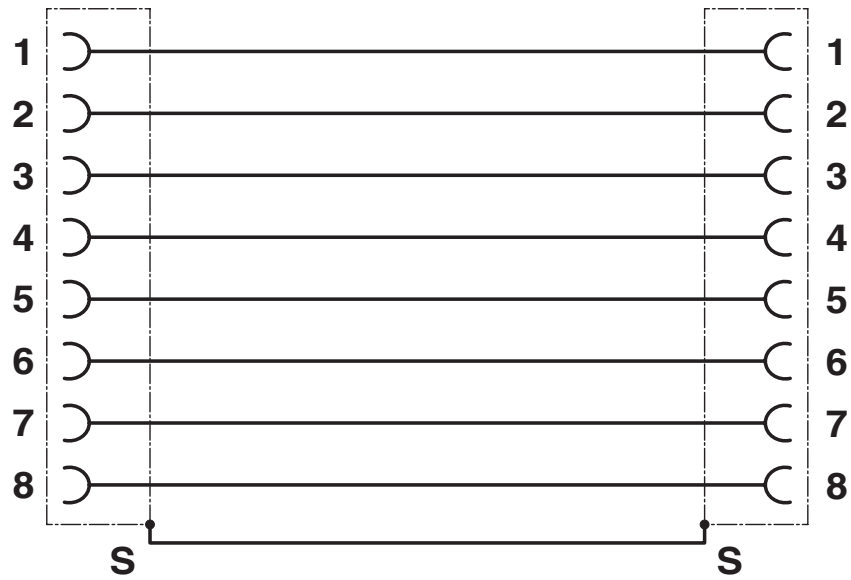
# Patch panels - FL-PP-RJ45/RJ45-B

2904933

<https://www.phoenixcontact.com/pc/products/2904933>



Block diagram



Circuit diagram

# Patch panels - FL-PP-RJ45/RJ45-B



2904933

<https://www.phoenixcontact.com/pc/products/2904933>

## Classifications

### ECLASS

ECLASS-9.0	19170112
ECLASS-10.0.1	19170112
ECLASS-11.0	19170112

### ETIM

ETIM 8.0	EC002697
----------	----------

### UNSPSC

UNSPSC 21.0	43223300
-------------	----------

# Patch panels - FL-PP-RJ45/RJ45-B



2904933

<https://www.phoenixcontact.com/pc/products/2904933>

## Environmental Product Compliance

China RoHS	Environmentally friendly use period: unlimited = EFUP-e
	No hazardous substances above threshold values

# Patch panels - FL-PP-RJ45/RJ45-B

2904933

<https://www.phoenixcontact.com/pc/products/2904933>

## Accessories

### Assembly tool

Assembly tool - FL CRIMPTOOL - 2744869

<https://www.phoenixcontact.com/pc/products/2744869>

Crimping pliers, for assembling the RJ45 plugs FL PLUG RJ45..., for assembly on site



---

### Network isolator

Network isolator - FL ISOLATOR 100-RJ/SC - 2313928

<https://www.phoenixcontact.com/pc/products/2313928>

Passive network isolator for electrical isolation in Ethernet networks. This protects Ethernet devices from potential differences of up to 4 kV. Can be used for transmission speeds of up to 100 Mbps. Connection using RJ45 and COMBICON plug-in screw terminal block.





# Patch panels - FL-PP-RJ45/RJ45-B

2904933

<https://www.phoenixcontact.com/pc/products/2904933>

## Network isolator

Network isolator - FL ISOLATOR 100-RJ/RJ - 2313931

<https://www.phoenixcontact.com/pc/products/2313931>



Passive network isolator for electrical isolation in Ethernet networks. This protects Ethernet devices from potential differences of up to 4 kV. Can be used for transmission speeds of up to 100 Mbps. Possible to connect two RJ45 plugs.

---

## Network isolator

Network isolator - FL ISOLATOR 1000-RJ/RJ - 2313915

<https://www.phoenixcontact.com/pc/products/2313915>



Passive network isolator for electrical isolation in Ethernet networks. This protects Ethernet devices from potential differences of up to 4 kV. Can be used for transmission speeds of up to 1 Gbps. Possible to connect two RJ45 plugs.

# Patch panels - FL-PP-RJ45/RJ45-B

2904933

<https://www.phoenixcontact.com/pc/products/2904933>

## Patch cable

Patch cable - FL CAT5 PATCH 0,3 - 2832250

<https://www.phoenixcontact.com/pc/products/2832250>

Patch cable, CAT5, assembled, 0.3 m



---

## Patch cable

Patch cable - FL CAT5 PATCH 0,5 - 2832263

<https://www.phoenixcontact.com/pc/products/2832263>

Patch cable, CAT5, assembled, 0.5 m



# Patch panels - FL-PP-RJ45/RJ45-B

2904933

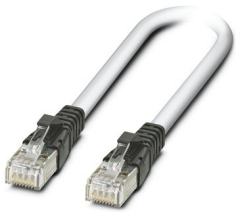
<https://www.phoenixcontact.com/pc/products/2904933>

## Patch cable

Patch cable - FL CAT5 PATCH 1,0 - 2832276

<https://www.phoenixcontact.com/pc/products/2832276>

Patch cable, CAT5, assembled, 1 m



---

## Patch cable

Patch cable - FL CAT5 PATCH 1,5 - 2832221

<https://www.phoenixcontact.com/pc/products/2832221>

Patch cable, CAT5, assembled, 1.5 m



# Patch panels - FL-PP-RJ45/RJ45-B

2904933

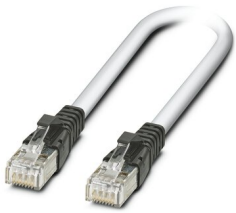
<https://www.phoenixcontact.com/pc/products/2904933>

## Patch cable

Patch cable - FL CAT5 PATCH 2,0 - 2832289

<https://www.phoenixcontact.com/pc/products/2832289>

Patch cable, CAT5, assembled, 2 m



---

## Patch cable

Patch cable - FL CAT5 PATCH 3,0 - 2832292

<https://www.phoenixcontact.com/pc/products/2832292>

Patch cable, CAT5, assembled, 3 m



# Patch panels - FL-PP-RJ45/RJ45-B

2904933

<https://www.phoenixcontact.com/pc/products/2904933>



## Stripping tool

Stripping tool - VS-CABLE-STRIP-VARIO - 1657407

<https://www.phoenixcontact.com/pc/products/1657407>

Stripping tool, for the multi-level stripping of shielded cables



---

## RJ45 connector

RJ45 connector - VS-08-RJ45-5-Q/IP20 - 1656725

<https://www.phoenixcontact.com/pc/products/1656725>



RJ45 connector, degree of protection: IP20, number of positions: 8, 1 Gbps, CAT5 (IEC 11801:2002), material: PA, connection method: IDC fast connection, connection cross section: AWG 26- 23, cable outlet: straight, color: traffic grey A RAL 7042, Ethernet

# Patch panels - FL-PP-RJ45/RJ45-B

2904933

<https://www.phoenixcontact.com/pc/products/2904933>

## RJ45 connector

RJ45 connector - VS-08-RJ45-5-Q/IP20 BK - 1658008

<https://www.phoenixcontact.com/pc/products/1658008>



RJ45 connector, type: RJ45, degree of protection: IP20, number of positions: 8, 1 Gbps, CAT5 (IEC 11801:2002), material: PA, connection method: IDC fast connection, connection cross section: AWG 26- 23, cable outlet: straight, color: black, Ethernet

---

## Patch cable

Patch cable - NBC-R4AC/1,0-93B/R4AC - 1408968

<https://www.phoenixcontact.com/pc/products/1408968>



Patch cable, degree of protection: IP20, cable length: 1 m, number of positions: 4, 100 Mbps, CAT5, material: PA 6.6, PROFINET

# Patch panels - FL-PP-RJ45/RJ45-B

2904933

<https://www.phoenixcontact.com/pc/products/2904933>

## Patch cable

Patch cable - NBC-R4AC/2,0-93B/R4AC - 1408969

<https://www.phoenixcontact.com/pc/products/1408969>



Patch cable, degree of protection: IP20, cable length: 2 m, number of positions: 4, 100 Mbps, CAT5, material: PA 6.6, PROFINET

---

## RJ45 connector

RJ45 connector - VS-PN-RJ45-5-Q/IP20 - 1658435

<https://www.phoenixcontact.com/pc/products/1658435>



RJ45 connector, type: RJ45, degree of protection: IP20, number of positions: 4, 100 Mbps, CAT5 (IEC 11801:2002), material: PA, connection method: IDC fast connection, cable outlet: straight, color: traffic grey A RAL 7042, PROFINET

---

Phoenix Contact 2022 © - all rights reserved  
<https://www.phoenixcontact.com>

PHOENIX CONTACT GmbH & Co. KG  
Flachsmarktstraße 8  
D-32825 Blomberg  
+49 (0) 5235-3 00  
[info@phoenixcontact.com](mailto:info@phoenixcontact.com)