

5 POSITION BLOCK FUSE HOLDER

for ATO® Style Blade Fuse

RoHS



Description

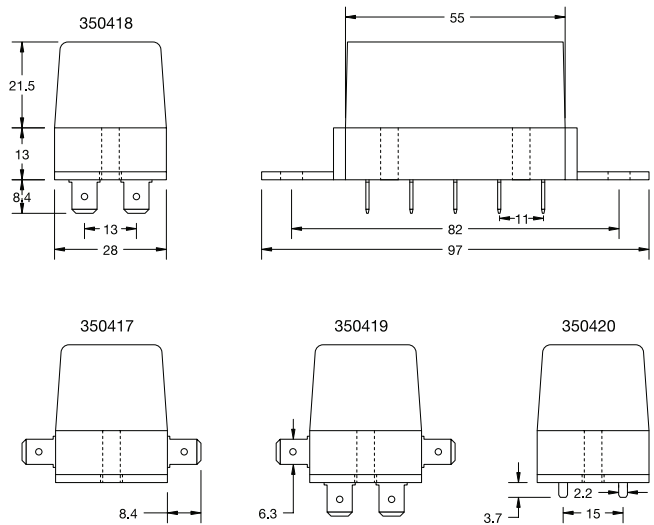
Use with ATO® fuses up to 15A. Available in 5 pole unit with removable clear protective cover. Available in side or bottom positioned ¼" Q.C. terminal configurations. Unit with bottom Q.C. terminals includes detachable side mounting brackets.

Ordering Information

Part Number	Package Size
03500417TXN	10
03500417Z	120
03500418TXN	10
03500418Z	180
03500419TXN	10
03500419Z	150
03500420TXN	10
03500420Z	250

Dimensions

Dimensions in mm



Ratings

Part Number	Description	Fuse Rating
03500418_	ATO® block 5 positions, vertical contacts	15 A
03500419_	ATO® block 5 positions, horizontal + vertical contacts	15 A
03500420_	ATO® block 5 positions, P.C. Board contacts	15 A
03500417_	ATO® block 5 positions, horizontal contacts	15 A

Corresponding fuse links see Section "Blade Fuses."