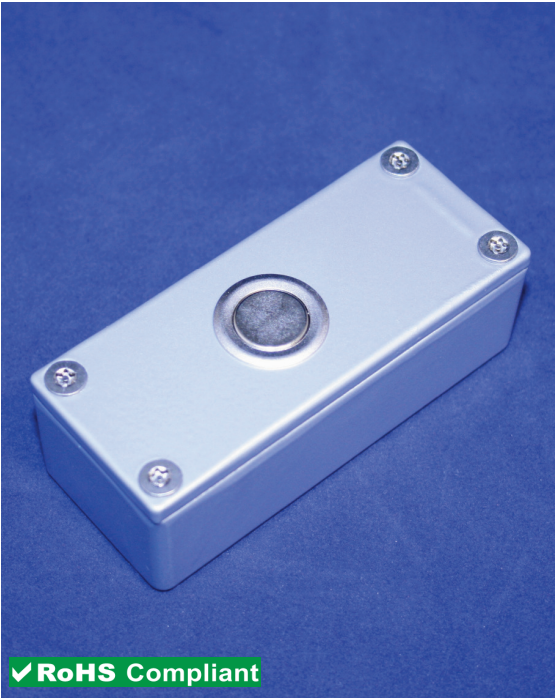
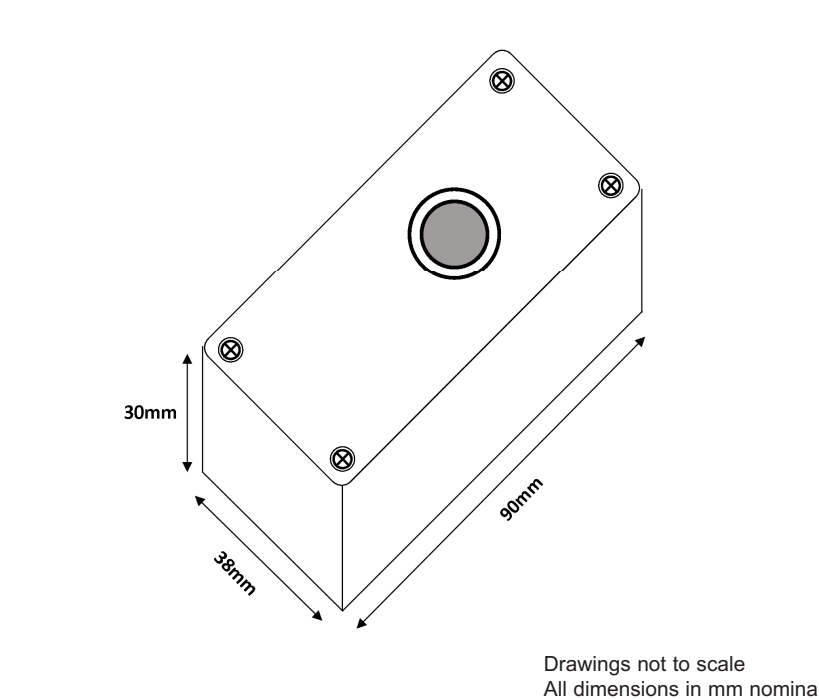









Final Exit Button- Surface Mount Metal Housing and Button
Part Number : G3FE003
Product Data Sheet

PICTURE	DIMENSIONS
 <p style="background-color: green; color: white; padding: 2px; display: inline-block;">✓ RoHS Compliant</p>	 <p style="font-size: small;">Drawings not to scale All dimensions in mm nominal</p>
DETAILS	

- Stainless steel tamper proof Hex key screws.
- Robust powder coated Aluminium housing.
- Sturdy metal push button with positive depression action.
- Internal anti tamper switch.
- Thick metal front plate.

Features Include	Specifications
<ul style="list-style-type: none"> ● Positive action button. ● Slim design access. ● Tamper switch protection. ● Robust powder coated housing. 	<ul style="list-style-type: none"> ● BE EN50131-2-6 Approved. ● Grade 3. ● Slim curved design. ● Anti vandal screws. ● Anti vandal push button.
Did you know we also sell?	
      	

Rev. No.	Revision Note	Date	Signature
1	Datasheet	21-09-15	ML



As part of the company policy of continued product improvement, specifications may change without notice. Our sales office will be pleased to help you with the latest information on this product range and the details of our full design and manufacturing service. All products are supplied to our standard conditions of sale unless otherwise agreed in writing.

Phone : +44 (0)1255 862236

www.comus-intl.com

Fax: +44 (0)1255 862014