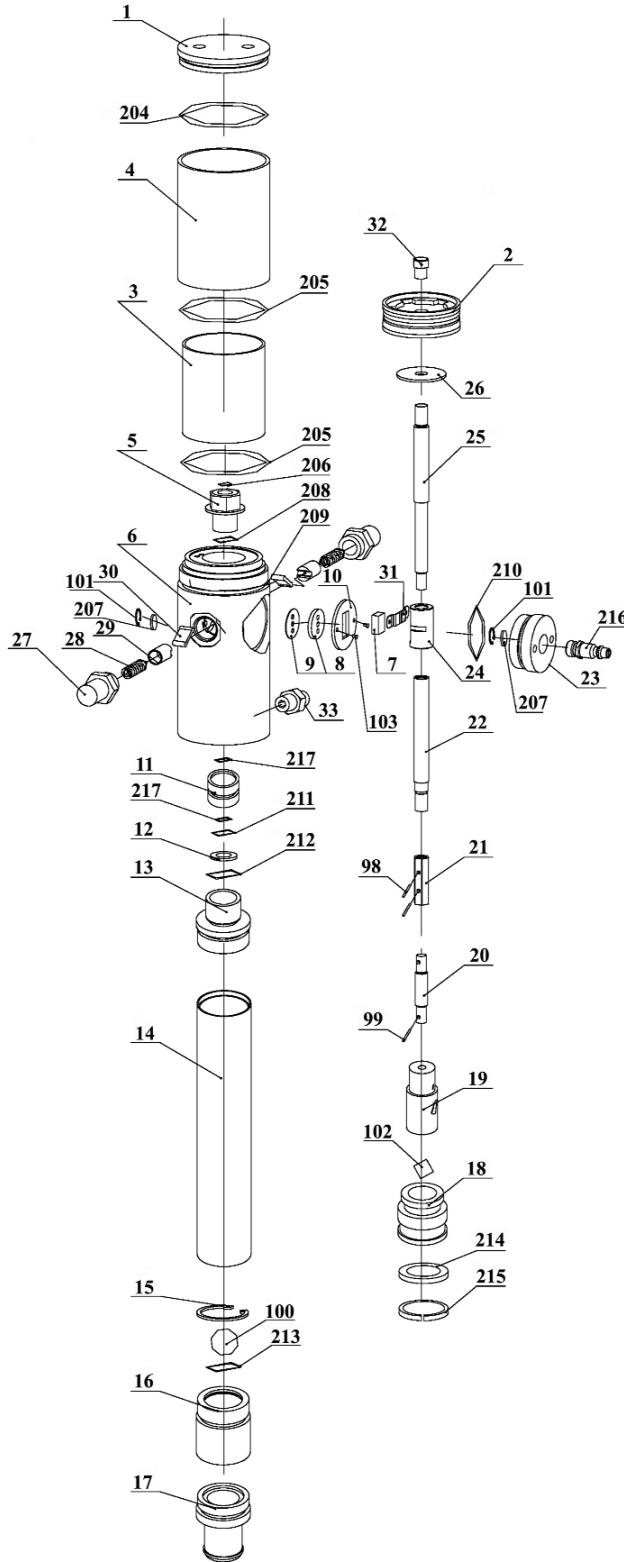




Parts Information:
Oil Dispensing System Air Operated with
10mtr Retractable Hose Reel
Model No: AK4562D



NOTE: It is our policy to continually improve products and as such we reserve the right to alter data, specifications and component parts without prior notice.

IMPORTANT: No liability is accepted for incorrect use of product.

WARRANTY: Guarantee is 12 months from purchase date, proof of which will be required for any claim.

Sealey Group, Kempson Way, Suffolk Business Park, Bury St Edmunds, Suffolk. IP32 7AR



01284 757500



01284 703534



sales@sealey.co.uk



www.sealey.co.uk



Parts Information:
Oil Dispensing System Air Operated with
10mtr Retractable Hose Reel
Model No: AK4562D

Item	Part No.	Description
1	AK4560D.01	AIR MOTOR COVER
2	AK4560D.02	PISTON
3	AK4560D.03	AIR MOTOR SHELL INNER
4	AK4560D.04	AIR MOTOR SHELL OUTER
5	AK4560D.05	BRACKET
6	AK4560D.06	AIR CONTROL CENTRE
7	AK4560D.07	SLIDER
8	AK4560D.08	GASKET
9	AK4560D.09	SOFT GASKET
10	AK4560D.10	SQUARE HOLE SECURING WASHER
11	AK4560D.11	BRACKET
12	AK4560D.12	WASHER
13	AK4560D.13	CONNECT TUBE
14	AK4560D.14	SUCTION TUBE 850mm x 42mmOD
15	AK4560D.15	SPRING CIRCLIP
16	AK4560D.16	VALVE SEAT
17	AK4560D.17	FILTER OR CONNECTOR
18	AK4560D.18	PISTON
19	AK4560D.19	CONNECTING SHELL
20	AK4560D.20	CONNECT SHAFT
21	AK4560D.21	CONNECT SHELL
22	AK4560D.22	MIDDLE SHAFT
23	AK4560D.23	AIR CENTRE COVER
24	AK4560D.24	SLIDER SHELL
25	AK4560D.25	PISTON SHAFT
26	FWM10.S	FLAT WASHER M10 SINGLE
27	AK4560D.27	SPRING SHELL (SO)

Item	Part No.	Description
28	AK4560D.28	SPRING (SO)
29	AK4560D.29	SPRING SEAT
30	AK4560D.30	TRIP SHOE GUIDE(SO)
31	AK4560D.31	PRESS PIECE
32	AK4560D.32	NUT
33	AK4560D.33	OUTLET
98	AK4560D.98	PIN
99	AK4560D.99	SPRING PIN M3X20
100	SB-21.4	STEEL BALL 21.4mm
101	AK4560D.101	SMALL CIRCLIP
102	SB-16.0	STEEL BALL 16.0mm
103	MSP410.S	MACHINE SCREW PAN HEAD PHILLIPS M4x10mm
204	AK4560D.204	O-RING
205	AK4560D.205	O-RING
206	AK4560D.206	O-RING
207	AK4560D.207	SILENCER
208	AK4560D.208	O-RING
209	AK4560D.209	O-RING
210	AK4560D.210	O-RING
211	AK4560D.211	O-RING
212	AK4560D.212	O-RING
213	AK4560D.213	O-RING
214	AK4560D.214	U SEAL
215	AK4560D.215	GUIDING
216	AK4560D.216	QUICK COUPLING
217	AK4560D.217	OD SEAL

NOTE: It is our policy to continually improve products and as such we reserve the right to alter data, specifications and component parts without prior notice.

IMPORTANT: No liability is accepted for incorrect use of product.

WARRANTY: Guarantee is 12 months from purchase date, proof of which will be required for any claim.

Sealey Group, Kempson Way, Suffolk Business Park, Bury St Edmunds, Suffolk. IP32 7AR



01284 757500



01284 703534

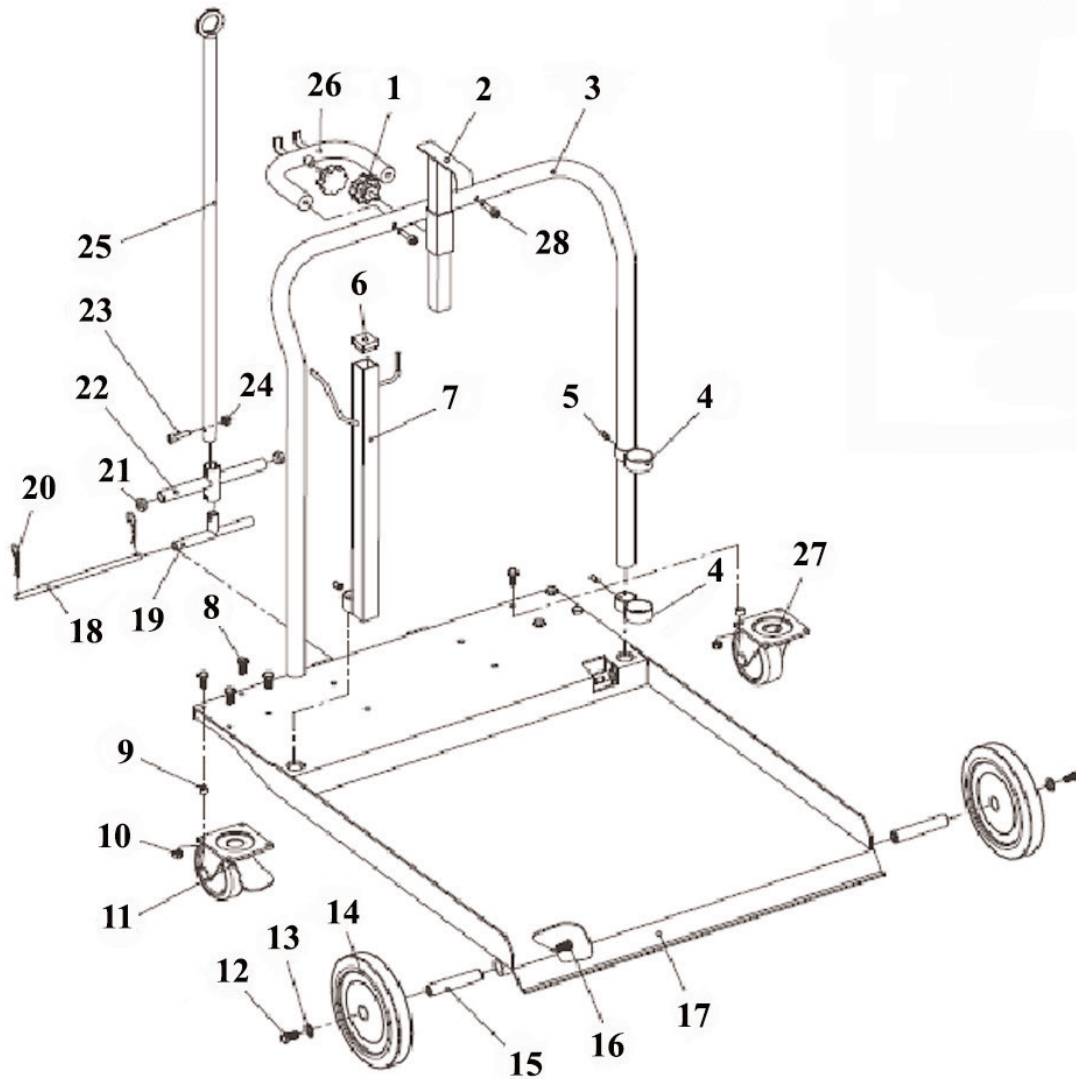


sales@sealey.co.uk



www.sealey.co.uk

Parts Information:
**Oil Dispensing System Air Operated with
 10mtr Retractable Hose Reel
 Model No: AK4562D**



Item	Part No.	Description
1	AK4561D.01	ADJUSTING KNOB
2	AK4562D.02	DRUM HOLDER SUPPORT
3	AK4562D.03	HANDLE
4	AK4562D.04	PUMP SUPPORT
5	GSM1010.S	GRUB SCREW M10x10 (SINGLE)
6	AK4562D.06	END CAP
7	AK4562D.07	ACCESSORIES SUPPORT
8	SS1040.S	HEX HEAD SET SCREW M10x40mm SINGLE
9	AK4562D.09	SPACER 25mm LENGTH
10	SN10.S	STEEL NUT M10 ZINC DIN934(SINGLE)
11	AK4562D.11	WHEEL,CASTOR (W/BRAKE)(200x14x45x235)
12	SFS816.S	HEX HEAD FLANGE BOLT M8x16 SINGLE
13	RW838.S	REPAIR WASHER M8x38 (SINGLE)
14	AK4562D.14	WHEEL, FIXED (280x21x50)

Item	Part No.	Description
15	AK4562D.15	AXLE
16	SS820.S	HEX HEAD SET SCREW M8x20mm SINGLE
17	AK4562D.17	TROLLEY BASE
18	AK4562D.18	JOINT PIN
19	AK4562D.19	HANDLE JOINT
20	AK4562D.20	HAIRPIN CLIP
21	AK4562D.21	STOPPER
22	AK4562D.22	HANDLE GRIP
23	SCB845.S	SOCKET CAP BOLT ZINC M8X45
24	SN8.S	STEEL NUT M8 ZINC DIN934 (SINGLE)
25	AK4562D.25	MOVABLE HANDLE
26	AK4562D.26	HANDLE SUPPORT
27	AK4562D.27	WHEEL, FIXED CASTOR (200x12x45x235)
28	SCB845.S	SOCKET CAP BOLT ZINC M8X45

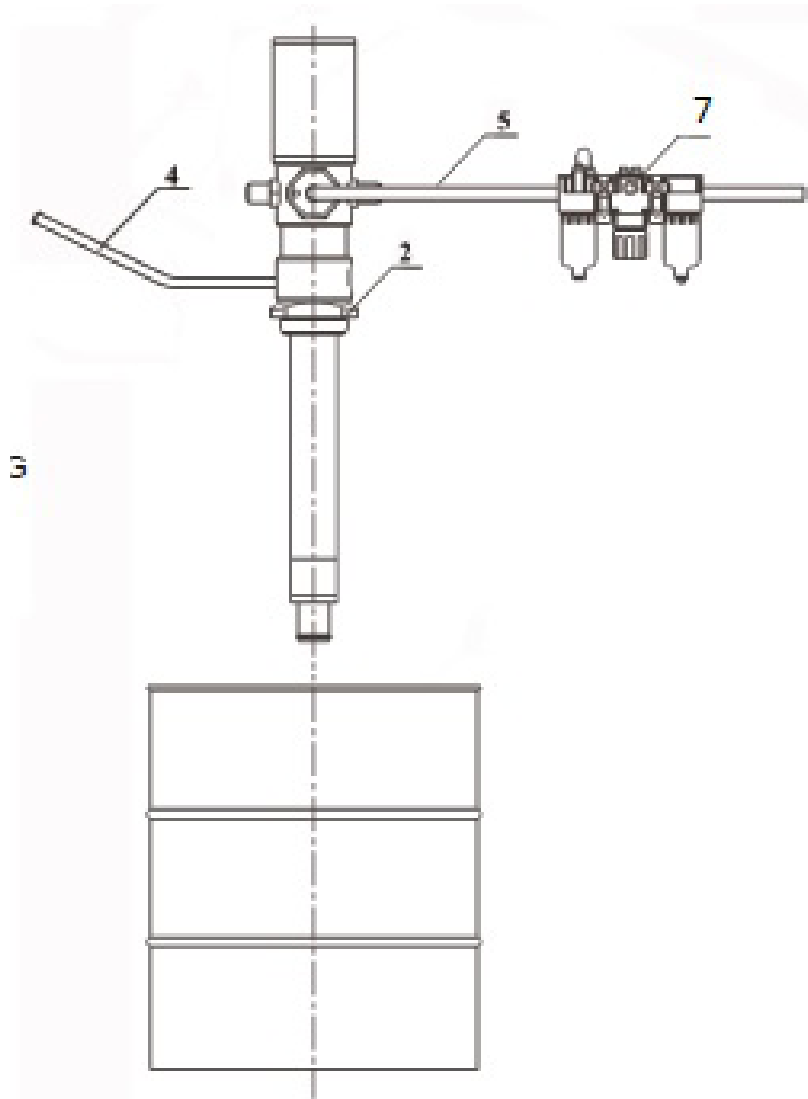
NOTE: It is our policy to continually improve products and as such we reserve the right to alter data, specifications and component parts without prior notice.

IMPORTANT: No liability is accepted for incorrect use of product.

WARRANTY: Guarantee is 12 months from purchase date, proof of which will be required for any claim.



Parts Information:
Oil Dispensing System Air Operated with
10mtr Retractable Hose Reel
Model No: AK4562D



Item	Part No.	Description
2	AK4560D.AC2	BUNG ADAPTOR
4	AK4560D.AC4	HOSE WITH FITTING

Item	Part No.	Description
5	AK4560D.AC5	AIR HOSE WITH QUICK COUPLING
7	AK4560D.AC7	REGULATOR/LUBRICATOR/FILTER

NOTE: It is our policy to continually improve products and as such we reserve the right to alter data, specifications and component parts without prior notice.

IMPORTANT: No liability is accepted for incorrect use of product.

WARRANTY: Guarantee is 12 months from purchase date, proof of which will be required for any claim.

Sealey Group, Kempson Way, Suffolk Business Park, Bury St Edmunds, Suffolk. IP32 7AR



01284 757500



01284 703534



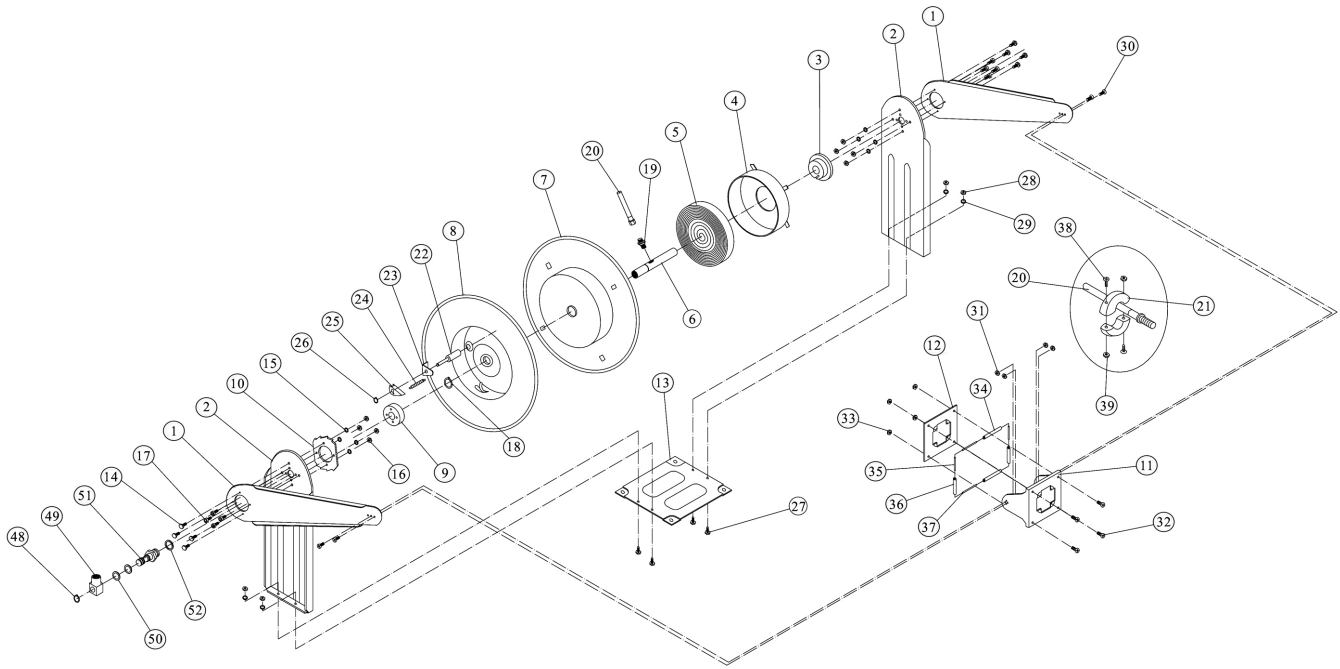
sales@sealey.co.uk



www.sealey.co.uk



Parts Information:
**Oil Dispensing System Air Operated with
 10mtr Retractable Hose Reel
 Model No: AK4562D**



Item	Part No.	Description
1	AK4567D.01	SUPPORT BRACKET ARM(NUT)
2	AK4567D.02	SUPPORT BRACKET
3	AK4567D.03	HUB BEARING ASSEMBLY
4	AK4567D.04	DRUM FOR SPRING
5	AK4567D.05	SPRING
6	AK4567D.07	DRUM ASSEMBLY
7	AK4567D.07	DRUM ASSEMBLY
8	AK4567D.07	DRUM ASSEMBLY
9	AK4567D.09	HUB BEARING ASSEMBLY
10	AK4567D.10	LOCK RING
11	AK4567D.11	GUIDE SUB-PLATE
12	AK4567D.12	GUIDE SUB-PLATE
13	AK4567D.13	BASE
14	SFS616.S	HEX HEAD FLANGE BOLT M6x16 SINGLE
15	AK4567D.15	WASHER
16	NLN6.S	NYLOC NUT M6 ZINC DIN 985 (SINGLE)
17	SCB614.S	SOCKET HEAD CAP SCREW M6x14 (SINGLE)
18	AK4567D.18	RETAINING RING
19	AK4567D.19	FITTING
20	AK4567D.20	HOSE (10mtr)
21	AK4567D.21	RUBBER BUMPER BLOCK
22	AK4567D.07	DRUM ASSEMBLY
23	AK4567D.07	DRUM ASSEMBLY
24	AK4567D.24	SPRING, DOG

Item	Part No.	Description
25	AK4567D.25	CAM, LOCKING
26	AK4567D.26	RETAINING RING
27	SS816.S	HEX HEAD SET SCREW M8x16mm SINGLE
28	SN8.S	STEEL NUT M8 ZINC DIN934 (SINGLE)
29	AK4567D.29	WASHER KIT(4 X FLAT,4 X SPRING)M8
30	SCB612.S	SOCKET CAP BOLT ZINC M6X12
31	FN6.S	FLANGE NUT SERRATED M6 ZINC (SINGLE)
32	MSP610.S	MACHINE SCREW PAN HEAD PHILLIPS M6x10mm
33	SN6.S	STEEL NUT M6 ZINC DIN934 (SINGLE)
34	AK4567D.34	ROLLER
35	AK4567D.35	AXLE FOR ROLLER
36	AK4567D.36	ROLLER
37	AK4567D.37	AXLE FOR ROLLER
38	MSP640.S	MACHINE SCREW PAN HEAD PHILLIPS M6x40mm
39	AK4567D.39	NUT
48	AK4567D.48	RETAINER
49	AK4567D.49	SWIVEL BODY
50	AK4567D.50	O-RING
51	AK4567D.51	SWIVEL SPOOL
52	AK4567D.52	WASHER RUBBER M20
--	AK4567D.53	FLEXIBLE OIL HOSE (1metre) (NOT SHOWN)
--	AK4567D.42	HOSE 10mtr (NOT SHOWN)

NOTE: It is our policy to continually improve products and as such we reserve the right to alter data, specifications and component parts without prior notice.

IMPORTANT: No liability is accepted for incorrect use of product.

WARRANTY: Guarantee is 12 months from purchase date, proof of which will be required for any claim.

Sealey Group, Kempson Way, Suffolk Business Park, Bury St Edmunds, Suffolk. IP32 7AR



01284 757500



01284 703534



sales@sealey.co.uk



www.sealey.co.uk