

Crank Handles · DIN 469 straight with square end DIN 79 24330.0110

Product Description

With these crank handles, the seam is ground and blasted. The hub is machined.



Material

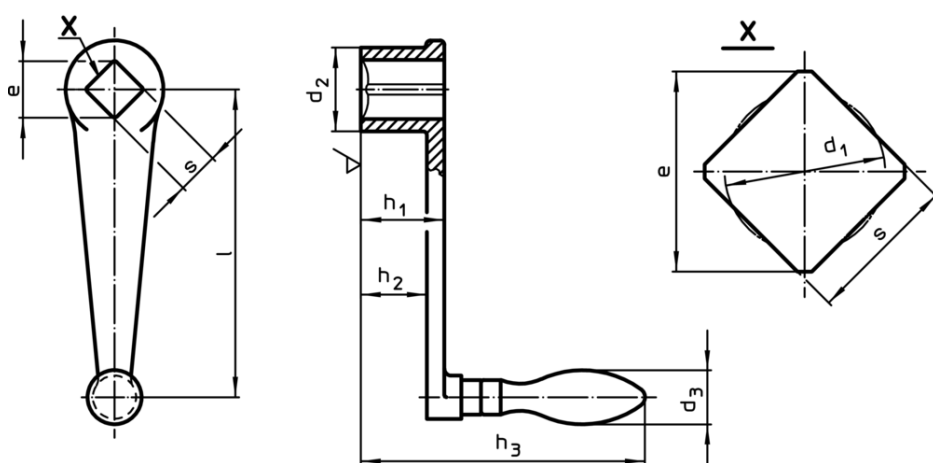
Machine handle

- Steel, turned, zinc-plated by galvanization, passivated

Handle body

- Cast iron (GTW), plastic coated, black

Drawing



Order information

l	s H11	e min.	Dimensions					d ₃ Machine handle Ø	[g]	Art. No. ¹⁾
			d ₁	d ₂	h ₁	h ₂	h ₃			
[mm]										
with fixed machine handle (EH 24450., DIN 39), form F										
63	10	13.1	10.5	20	20	15	74	16	109	24330.0110

¹⁾ Handle body made from cast iron (GTW)

Compliance

RoHS compliant

Contains lead - compliant according to exceptions 6a / 6b / 6c

Contains SVHC substances >0,1% w/w

Contains lead - SVHC list [REACH] as of 10.06.2022

Contains Proposition 65 substances



Lead can cause cancer and reproductive harm from exposure
<https://www.P65Warnings.ca.gov/>

Free from Conflict Minerals

This product does not contain any substances designated as "conflict minerals" such as tantalum, tin, gold or tungsten from the Democratic Republic of Congo or adjacent countries.