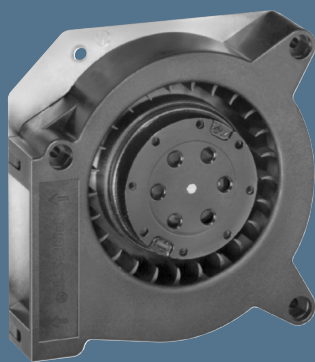


max. 42 m³/h

AC centrifugal fans

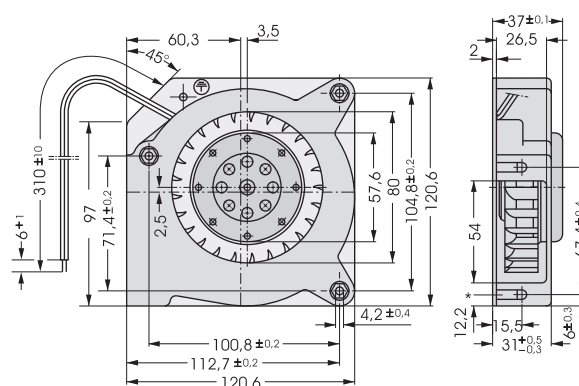
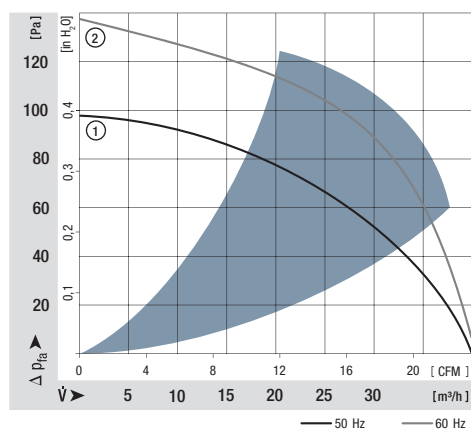
Series RL 90 121 x 121 x 37 mm



- AC centrifugal fan with external rotor shaded-pole motor. Impedance protected against overloading.
- Spiral housing and impeller of fibreglass-reinforced plastic. Housing base of galvanised steel plate. Housing base with flat plug 6.3 x 0.8 mm for protective earth.
- Direction of air flow radial, through housing port. Direction of rotation clockwise, seen on rotor.
- Electrical connection via 2 leads. Bared and tin-plated.
- Mass: 680 g.

Nominal data		Air flow	Air flow	Nominal voltage	Frequency	Sound power level	Sinter sleeve bearings Ball bearings	Power input	Nominal speed	Temperature range	Service life L ₁₀ at 40 °C	at T _{max}	Curve
Type		m ³ /h	CFM	V	Hz	Bel(A)	□ / ■	Watts	RPM	°C	Hours	Hours	
RL 90-18/50		40	23,5	230	50	5,6	□	20,0	2 450	-10...+50	37 500 / 30 000		1
RL 90-18/56		40	23,5	230	50	5,6	■	20,0	2 450	-30...+70	37 500 / 20 000		1
RL 90-18/00		42	24,7	115	60	6,0	□	19,5	2 550	-10...+60	37 500 / 25 000		2
RL 90-18/06		42	24,7	115	60	6,0	■	19,5	2 550	-30...+85	37 500 / 15 000		2

Fan type		Lead wires
RL 90-18/50	RL 90-18/00	AWG 18, TR 32
RL 90-18/56	RL 90-18/06	AWG 22



*Speed nut M4 or 8-32UNC, Screw-in depth max.12,5 min 9,0