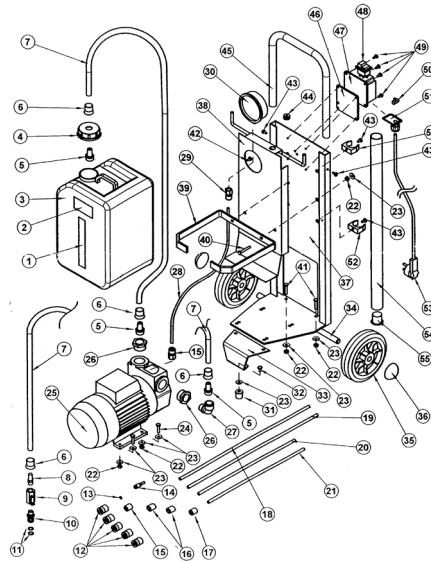




Parts Information:  
**Oil Drainer Mobile 230V**  
**Model No: AK466D**



Item	Part No.	Description
1	500/7686	NAME PLATE (LEVEL)
2	500/7685	NAME PLATE
3	500/7666	PLASTIC CONTAINER
4	500.R08308000	2METRE SUCTION HOSE KIT
5	500.R08308000	2METRE SUCTION HOSE KIT
6	500/8013	ALUMINIUM BUSHING 22X24
7	500/8108	SPIRAL HOSE ASPER DIA. 14
8	500/8142	HOSE HOLDER 1/4" X 14
9	500/8141	VALVE MINISPHERE 1/4" F/F
10	500/8034	PROBE CONNECTION
11	500/8079	O-RING
12	500/R08309000	SET OF VACUBOX PROBES
13	500/5491	O-RING 2025
14	500/8035	PROBE END, GOLF TYPE
15	500/R08309000	SET OF VACUBOX PROBES
16	500/7810	END COUPLING 1/8"G 8X4
17	500/8062	END COUPLING 1/8"G 5X3
18	500/R08309000	SET OF VACUBOX PROBES
19	500/7668	PROBE FORAFLOX 8X6X800
20	500/R08309000	SET OF VACUBOX PROBES
21	500/8069	PROBE BRASS DIA. 5X650
22	500/8050	NUT
23	500/8053	WASHER
24	500/8953	SCREW M6x25
25	500/9125	ELECTRIC PUMP
26	500/9126	CONNECTION 1"x1/2"
27	500/9561	MALE/FEMALE ELBOW 1/2"G
28	500/8084	HOSE D.6
29	500/9128	CONNECTION 1/4" 6x4

Item	Part No.	Description
30	500/8011	GAUGE -100kpa 60mm OD, btm fitting
31	500/9127	PUFFER
32	500/8058	SCREW M6x10
33	500/9124	TROLLEY FOOT
34	500/7651	AXLE
35	500/5966	WHEEL, FIXED (PLASTIC) (124x15x33)
36	500/8096	WHEEL BOSS
37	500/7652	TROLLEY BACKBOARD
38	500/7992	TROLLEY FRONT
39	500/7660	BASKET
40	500/8038	SCREW M6x40
41	500/7679	SCREW M6x30
42	500/8305	SCREW M4x10
43	500/8826	SCREW M5x16
44	500/8281	CORE HITCH
45	500/7648	TROLLEY HANDLE
46	500/7713	GASKET
47	500/9787	TERMINAL KIT BOARD
48	500/9791	SWITCH (RED ROCKER TYPE)
49	500/8304	SCREW UNI 6954 PH/AB 8.8 4.2x9.5
50	500/9204	TERMINAL
51	500/9133	PLATE WITH CORE HITCH
52	500/8097	BRACKET
53	500/7681	CABLE WITH PLUG
54	500/7672	SCABBARD + PLUG
55	500/7672	SCABBARD + PLUG
--	500/8182	IMPELLER COVER (NOT SHOWN)
--	AK466D.01	OIL SEAL (9 22 7R21) (NOT SHOWN)

**NOTE:** It is our policy to continually improve products and as such we reserve the right to alter data, specifications and component parts without prior notice.

**IMPORTANT:** No liability is accepted for incorrect use of product.

**WARRANTY:** Guarantee is 12 months from purchase date, proof of which will be required for any claim.

**Sealey Group**, Kempson Way, Suffolk Business Park, Bury St Edmunds, Suffolk. IP32 7AR



01284 757500



01284 703534



sales@sealey.co.uk



www.sealey.co.uk