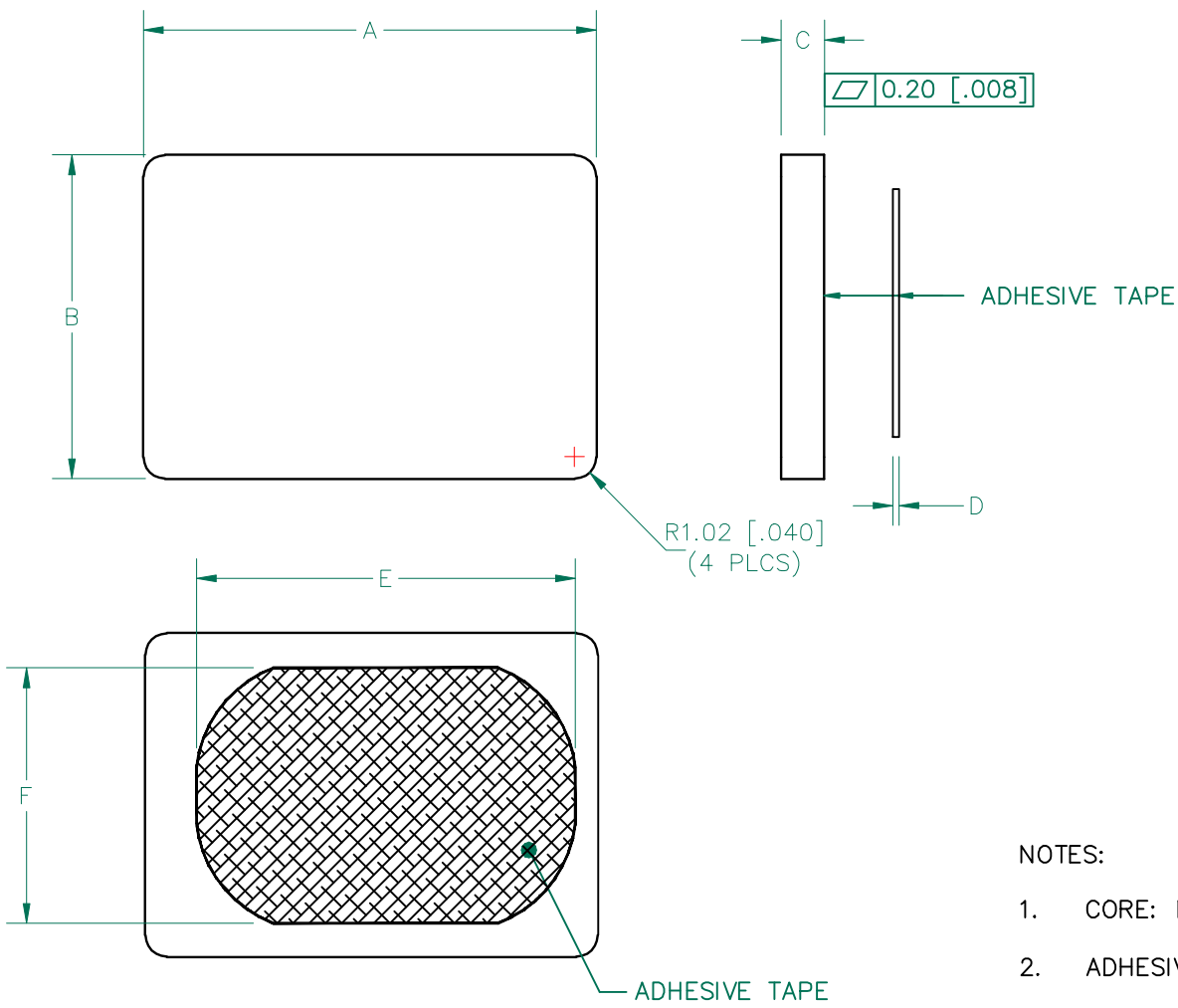


SCALE DRAWING 1:1

MP0590-200



**UNCONTROLLED DOCUMENT**

NOTES:

1. CORE: MP0590-2B0.
2. ADHESIVE: P/N 21216
3. REFERENCE 3M TAPE 468MP ADHESIVE TRANSFER TAPE OR ENGINEER APPROVED ALTERNATIVE.

DIMENSIONS:

A	21.00 [.827]	±	0.42 [.017]
B	15.00 [.591]	±	0.30 [.012]
C	2.00 [.079]	±	0.08 [.003]
D	0.13 [.005]	±	TYP.
E	17.78 [.700]	±	TYP.
F	11.94 [.470]	±	TYP.

WEIGHT/1000    3.12 kgs    [6.88 Lbs]

DIMENSIONS ARE IN mm [INCHES].				This print is the property of Laird Tech. and is loaned in confidence subject to return upon request and with the understanding that no copies shall be made without the written consent of Laird Tech. All rights to design or invention are reserved.				
REV	DESCRIPTION	DATE	INT					
H	CHANGE DIMENSION D	07/09/09	JRK	PROJECT/PART NUMBER: <b>MP0590-200</b>		REV <b>H</b>	PART TYPE: <b>FERRITE PLATE</b>	DRAWN BY: <b>JRK</b>
G	REMOVE PULLTAB REVISE NOTE #3	06/11/09	JRK					
F	UPDATE COMPANY LOGO & NOTE #3	12/11/08	JRK					
E	STANDARDIZE PRINT FORMAT(SeeCoverSheet)	01/26/06	JRK					
D	REV PULL TAB TO MATCH PUR.PRINT 21216	04/08/05	JRK					
C	ADD NOTE #2	09/27/04	JRK					
B	ADD PART WEIGHT	04/06/04	TMB					
A	ORIGINAL DRAFT	02/20/04	JRK					
REV	DESCRIPTION	DATE	INT					
		DATE:	02/20/04					
		CAD #	MP0590-200-H	TOOL #	P0590			