

U-Handles • diagonal

24300.0820



Product Description

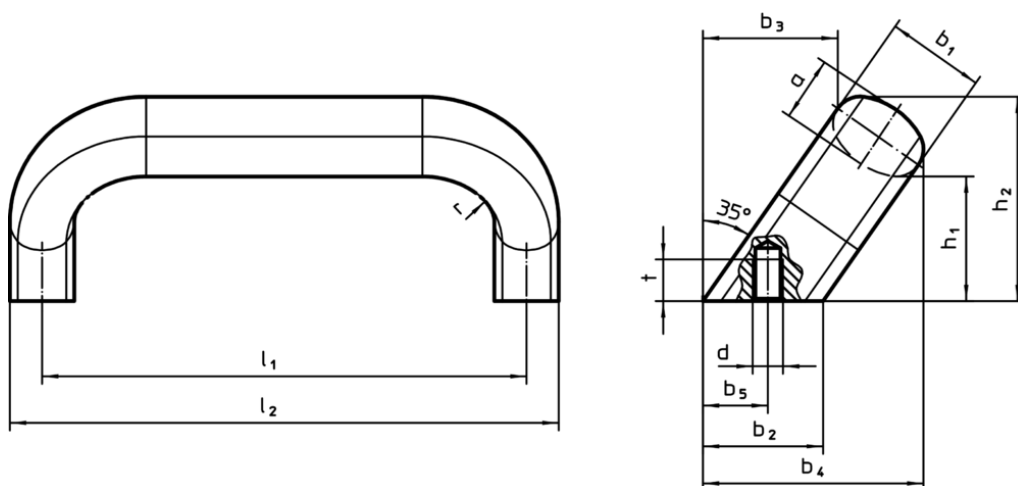
U-handles are used, for example, on machine doors, furniture doors, cabinet doors, drawers and drawer units.

Material

Handle

- Stainless steel 1.4301, dull blasted

Drawing



Order information

Dimensions													[g]	Art. No.
b ₁	l ₁ ±0.25	l ₂	a	b ₂	b ₃	b ₄	b ₅ +1	d	h ₁	h ₂	r	t		
[mm]														
26	160	177	17	32	34	57	18	M8	34	54	17	12	631	24300.0820

Compliance

RoHS compliant

Compliant according to Directive 2011/65/EU and Directive 2015/863

Does not contain SVHC substances

No SVHC substances with more than 0.1% w/w contained - SVHC list [REACH] as of 10.06.2022

Does not contain Proposition 65 substances

No Proposition 65 substances included

<https://www.P65Warnings.ca.gov/>

Free from Conflict Minerals

This product does not contain any substances designated as "conflict minerals" such as tantalum, tin, gold or tungsten from the Democratic Republic of Congo or adjacent countries.