

Product Data Sheet

100 Series 670A GP Series

Replace "XX" with 01 through 36 for number of poles

Terminal Block– Closed Back

Standard Construction

20 Amps, 250 Volts Class B (AC/DC)



(6 Pole shown)

Copper Wire Only

Wire Range with Wire Binding Screw: #12 - #22 AWG

3/8" Centers

Electrical Ratings:

- 20A with unprepared wire, (Based on NEC Table 310-16, 75°C columns)
- 20A with Listed ring lug, (Based on NEC Table 310-16, 75°C columns)
- 250 Volts AC/DC (UL 1059 Class B, Use Group – Commercial Appliances)
- Short Circuit Current Rating: 10,000A (Default)
- Approved for Factory and Field Wiring.

NOTE: Use outside these ratings must be judged in end-use application

Mechanical Ratings:

- Insulator base temperature rating: -40° C/F to 150°C (302°F)* UL RTI
- Flammability rating of insulator base: UL 94V-1

Materials:

- Connector (Contact): Brass, tin plated.
- Insulator base: Phenolic
- Drive screw (Rivet): Stainless steel
- Screw, #6-32 Binder head, Phil-Slot: Steel, nickel plated

Agency Approvals:

- UL Recognized, UL 1059 Terminal Block Standard, File No. XCFR2.E62806
- CSA Certified, CSA C22.2 No. 158, File No. LR19766
- CE compliant, IEC 60947-7-1
- RoHS Compliant

Wire Range:

Wire Size	Torque	Copper Wire Stranding Classes - Number of Conductors		
		Solid	Class B	Class C
12	9 in. Lbs	1	1	1
14	9 in. Lbs	1	1	1
16	9 in. Lbs	1	1	1
18	9 in. Lbs	1	1	1
20	9 in. Lbs	1	1	1
22	9 in. Lbs	1	1	1

Mounting:

Suggested product mounting hardware: #6 fastener, torque to 10-15 in. lbs.

Accessories:

- Printing (for printing options, see Terminal Block Printing)

<http://marathonsp.com/CatalogPDFs/TBPrinting.pdf>

- Marking strips (Sub mounted or Top mounted)

<http://marathonsp.com/CatalogPDFs/TopMountedMS.pdf>

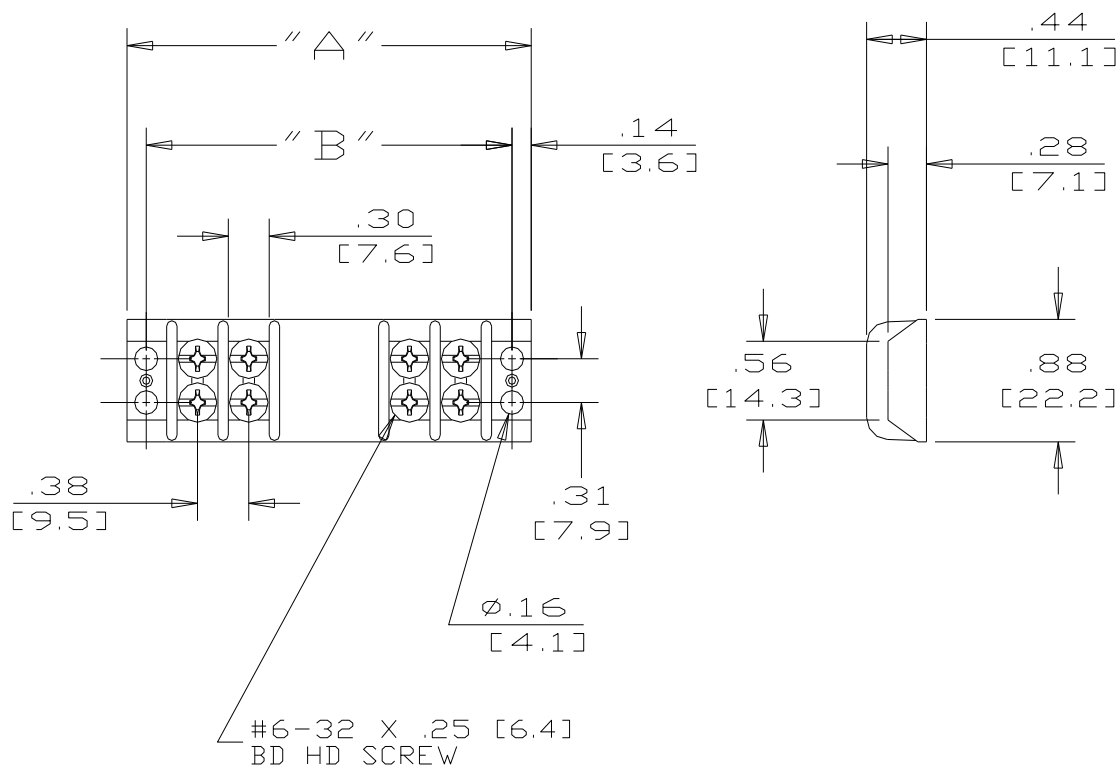
<http://marathonsp.com/CatalogPDFs/SubMounted.pdf>



- Cover – top mounted. Order CW (white) or CB (Black). Can be printed.

<http://marathonsp.com/CatalogPDFs/TopMountedCover.pdf>





Catalog No	# of Poles	Dimensions			Catalog No	# of Poles	Dimensions	
		A	B				A	B
101 / 670A GP 01	1	1.03	0.75	X	119 / 670A GP 19	19	7.78	7.50
102 / 670A GP 01	2	1.41	1.13	X	120 / 670A GP 20	20	8.16	7.88
103 / 670A GP 03	3	1.78	1.50	X	121 / 670A GP 21	21	8.53	8.25
104 / 670A GP 04	4	2.16	1.88	X	122 / 670A GP 22	22	8.91	8.63
105 / 670A GP 05	5	2.53	2.25	X	123 / 670A GP 23	23	9.29	9.01
106 / 670A GP 06	6	2.91	2.63	X	124 / 670A GP 24	24	9.66	9.38
107 / 670A GP 07	7	3.28	3.00	X	125 / 670A GP 25	25	10.04	9.76
108 / 670A GP 08	8	3.66	3.38	X	126 / 670A GP 26	26	10.41	10.13
109 / 670A GP 09	9	4.03	3.75	X	127 / 670A GP 27	27	10.79	10.51
110 / 670A GP 10	10	4.41	4.13	X	128 / 670A GP 28	28	11.17	10.89
111 / 670A GP 11	11	4.78	4.50	X	129 / 670A GP 29	29	11.54	11.26
112 / 670A GP 12	12	5.16	4.88	X	130 / 670A GP 30	30	11.92	11.64
113 / 670A GP 13	13	5.53	5.25	X	131 / 670A GP 31	31	12.29	12.01
114 / 670A GP 14	14	5.91	5.63	X	132 / 670A GP 32	32	12.67	12.39
115 / 670A GP 15	15	6.28	6.00	X	133 / 670A GP 33	33	13.05	12.77
116 / 670A GP 16	16	6.66	6.38	X	134 / 670A GP 34	34	13.42	13.14
117 / 670A GP 17	17	7.03	6.75	X	135 / 670A GP 35	35	13.80	13.52
118 / 670A GP 18	18	7.41	7.13	X	136 / 670A GP 36	36	14.17	13.89

Top Mounted Hardware is .187" Wide

MM = Dim X 25.4

WWW.MARATHONSP.COM
(419) 352-8441