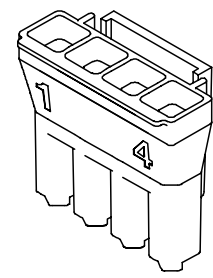
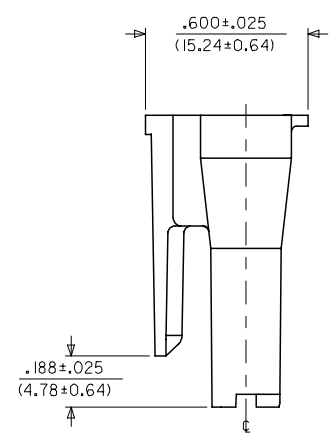
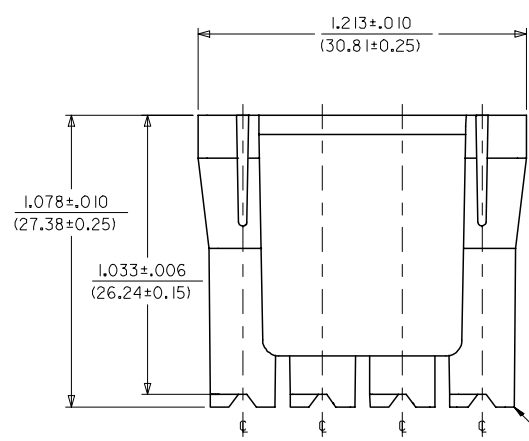


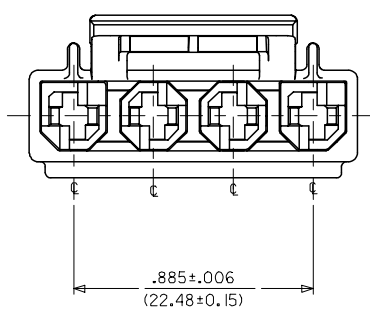
NOTES:

1. MATERIAL: NYLON, UL94V-0, COLOR: BLACK
2. THIS CONNECTOR HOUSING FOR USE WITH 43375-\*\*\*\* TERMINALS.
3. THIS CONNECTOR HOUSING WILL MATE TO A-43160-\*\*\*\*4, 43180-\*\*\*\*4, AND 43680-\*\*\*\*4 HOUSINGS.
4. PRODUCT SPECIFICATION: PSX-4444I-9999.
5. PACKAGING: PK-4444I-001.



4444I-1004  
(NO SCALE)

CIRCUIT 1



REV. NOTE 1 REV. A2	UCP2006-1297 2005/12/07 DRWG:STEWART 2005/12/08 CHKD:BM/RKUS 2005/12/08 APPR:BM/RKUS	QUALITY SYMBOLS ▽=0 ▽=0	GENERAL TOLERANCES (UNLESS SPECIFIED)		DIMENSION STYLE IN/MM		SCALE 3:1	DESIGN UNITS INCH	THIRD ANGLE PROJECTION
			mm	INCH	DRAWN BY BW	DATE 09/20/04	TITLE 4-CIR. RECEPT. HSG. .125(3.18) X .020(0.51) SABRE - TPA; V-0 MAT'L		
			4 PLACES ±.005	±.005	CHECKED BY BW	DATE 09/20/04	MOLEX INCORPORATED		
			3 PLACES ±.013	±.01	APPROVED BY BW	DATE 09/20/04	MATERIAL NO. 44441-2004 DOCUMENT NO. SD-44441-2004 SHEET NO. 1 OF 1		
			2 PLACES ±0.25	±.01	THIS DRAWING CONTAINS INFORMATION THAT IS PROPRIETARY TO MOLEX INCORPORATED AND SHOULD NOT BE USED WITHOUT WRITTEN PERMISSION				
			1 PLACE ±0.25	±.01					
			ANGULAR ±1/2°						
			DRAFT WHERE APPLICABLE MUST REMAIN WITHIN DIMENSIONS						