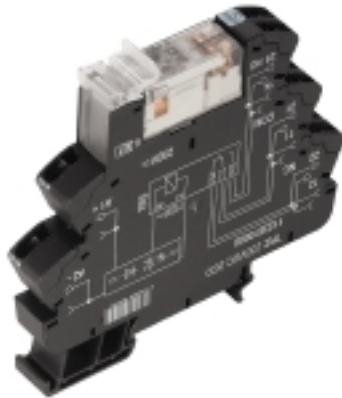


TERMSERIES TRZ 24-230VUC 2CO

Weidmüller Interface GmbH & Co. KG
 Klingenbergstraße 16
 D-32758 Detmold
 Germany
 Fon: +49 5231 1429-0
 Fax: +49 5231 14292083
 www.weidmueller.com



TERMSERIES relay module, complete modules consisting of

a relay and a base with AC/DC/UC coils, available in different versions:

- With screw and tension-clamp connection
- AgNi contact, optionally with hard gold-plated contacts
- 1 and 2 COs
- Optionally with multiple-voltage input: 24...230 V UC
- With various protective circuits in the input (free-wheel diode, RC element)
- Illuminated ejection lever

General ordering data

| | |
|------------|---|
| Type | TRZ 24-230VUC 2CO |
| Order No. | 1123700000 |
| Version | TERMSERIES, Relay module, No. of contacts: 2 CO contact AgNi, Rated control voltage: 24...230 V UC $\pm 10\%$, Continuous current: 8 A, Tension clamp connection |
| GTIN (EAN) | 4032248905201 |
| Qty. | 10 pc(s). |

TERMSERIES TRZ 24-230VUC 2CO

Weidmüller Interface GmbH & Co. KG
 Klingenbergstraße 16
 D-32758 Detmold
 Germany
 Fon: +49 5231 1429-0
 Fax: +49 5231 14292083
 www.weidmueller.com

Technische Daten

Dimensions and weights

| | | | |
|------------|---------|-----------------|------------|
| Width | 12.8 mm | Width (inches) | 0.504 inch |
| Height | 90.5 mm | Height (inches) | 3.563 inch |
| Depth | 87.8 mm | Depth (inches) | 3.457 inch |
| Net weight | 60.5 g | | |

Temperatures

| | | | |
|---------------------|---|-----------------------|----------------|
| Humidity | 5–95% rel. humidity, $T_u = 40^\circ\text{C}$, no condensation | Operating temperature | -40 °C...40 °C |
| Storage temperature | -40 °C...85 °C | | |

Input

| | | | |
|--|------------------------------------|---------------------------------------|--------------------------------------|
| Rated control voltage | 24...230 V UC $\pm 10\%$ | Rated current AC | 6 mA @ 230 V UC |
| Rated current DC | 45 mA @ 24 VUC | Power rating | 1.08 W @ 24 V UC, 1.38 W @ 230 V UC |
| Pull-in/drop-out voltage, typ. | 18.5 V / 7 V AC 17.5 V / 5 V DC | Pull-in/drop-out current, typ. | 42 mA / 14 mA AC 38 mA / 10 mA DC |
| Status indicator | Green LED | Protective circuit | Rectifier |
| Coil voltage of the replacement relay deviating from the rated control voltage | Yes | Coil voltage of the replacement relay | 24 V DC |

Output

| | | | |
|---|--------------|---|----------------------------|
| Rated switching voltage | 250 V AC | Max. switching voltage, AC | 250 V |
| Max. switching voltage, DC | 250 V | Continuous current | 8 A |
| Inrush current | 15 A / 4 s | AC switching capacity (resistive), max. | 2000 VA |
| DC switching capacity (resistive), max. | 192 W @ 24 V | Switch-on delay | < 40 ms |
| Switch-off delay | < 100 ms | Min. switching power | 10 mA @ 10 V, 100 mA @ 5 V |
| Max. switching frequency at rated load | 0.1 Hz | | |

Contact data

| | | | |
|--------------|---------------------|-------------------------|---------------------------------------|
| Contact type | 2 CO contact (AgNi) | Mechanical service life | 30 x 10 ⁶ switching cycles |
|--------------|---------------------|-------------------------|---------------------------------------|

General data

| | | | |
|--------------------------------------|-------|-------------|----|
| Mounting rail | TS 35 | Test button | No |
| Mechanical switch position indicator | No | | |

Insulation coordination

| | | | |
|--|------------------------------|--|------------------------------|
| Rated voltage | 300 V | Creepage and clearance distance input – output | ≥ 5.5 mm |
| Dielectric strength input – output | 1.2 kV _{eff} / 5 s | Dielectric strength to mounting rail | 4 kV _{eff} / 1 min. |
| Dielectric strength of neighbouring contacts | 2.5 kV _{eff} | Dielectric strength of open contact | 1 kV _{eff} / 1 min |
| Impulse withstand voltage | 6 kV (1.2/50 μs) | Protection degree | IP20 |
| Pollution severity | 2 | Surge voltage category | III |

TERMSERIES TRZ 24-230VUC 2CO

Weidmüller Interface GmbH & Co. KG
 Klingenbergstraße 16
 D-32758 Detmold
 Germany
 Fon: +49 5231 1429-0
 Fax: +49 5231 14292083
 www.weidmueller.com

Technische Daten

Further details of approvals / standards

| | | | |
|-------------------------|--|-----------------------------|----------|
| Standards | EN 50178, EN 55011, EN 61000-6-1, 2, 4 | Certificate No. (GERMLLOYD) | 47053-12 |
| Certificate no. (cULus) | E141197 | | |

Connection data

| | | | |
|---|--------------------------|---|----------------------|
| Wire connection method | Tension clamp connection | Stripping length, rated connection | 8 mm |
| Clamping range, rated connection | 1.5 mm ² | Clamping range, rated connection, min. | 0.14 mm ² |
| Clamping range, rated connection, max. | 2.5 mm ² | Wire connection cross section AWG, min. | AWG 26 |
| Wire connection cross section AWG, max. | AWG 14 | Wire cross-section, solid, min. | 0.14 mm ² |
| Wire cross-section, solid, max. | 2.5 mm ² | Wire connection cross-section, finely stranded, min. | 0.14 mm ² |
| Wire connection cross section, finely stranded, max. | 2.5 mm ² | Wire cross-section, finely stranded, min. (AWG) | AWG 26 |
| Wire cross-section, finely stranded, max. (AWG) | AWG 14 | Cross-section for connected conductor, finely stranded with wire-end ferrules and plastic collars DIN 46228/4, rated connection, min. | 0.14 mm ² |
| Wire connection cross-section, finely stranded with wire-end ferrules and plastic collars DIN 46228/4, rated connection, max. | 1.5 mm ² | Conductor cross-section, flexible, AEH (DIN 46228-1), min. | 0.14 mm ² |
| Conductor cross-section, flexible, AEH (DIN 46228-1), max. | 1.5 mm ² | Blade size | 0.6 x 3.5 mm |
| Gauge to IEC 60947-1 | A1, B1 | | |

Rated data UL

| | | |
|---|------------------------------------|---|
| Ambient temperature (operational), max. 40 °C | Connection cross-section AWG, min. | AWG 26 |
| Connection cross-section AWG, max. | Type of conductor | rigid copper conductor, flexible copper conductor |
| | | |
| Pollution severity level | | |

Classifications

| | | | |
|------------|-------------|------------|-------------|
| ETIM 5.0 | EC001437 | ETIM 6.0 | EC001437 |
| eClass 6.2 | 27-37-16-01 | eClass 7.1 | 27-37-16-01 |
| eClass 8.1 | 27-37-16-01 | eClass 9.0 | 27-37-16-01 |
| eClass 9.1 | 27-37-16-01 | | |

Product information

| | |
|---------------------------------|---|
| Descriptive text ordering data | Spare relay Type: RCL424024 Orderno.: 4058570000 |
| Descriptive text technical data | Accessories and dimensional drawings: refer to the TERMSERIES Accessories page. |

Approvals

Approvals



| | |
|------|---------|
| ROHS | Conform |
|------|---------|

Erstellungs-Datum 28 August 2017 09:55:10 CEST

Datenblatt**TERMSERIES
TRZ 24-230VUC 2CO****Weidmüller Interface GmbH & Co. KG**
Klingenbergstraße 16
D-32758 Detmold
Germany
Fon: +49 5231 1429-0
Fax: +49 5231 14292083
www.weidmueller.com**Technische Daten****Downloads**

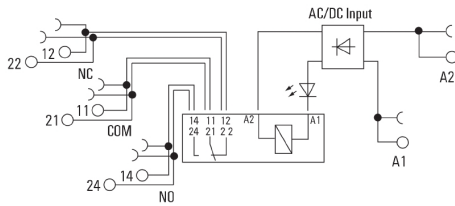
| | |
|---|--|
| Approval/Certificate/Document of Conformity | DE_PA5600_160229_001.pdf |
| Brochure/Catalogue | CAT 4.2 ELECTR 15/16 EN |
| Engineering Data | EPLAN, WSCAD, Zuken E3.S |
| User Documentation | Operating Instructions |

**TERMSERIES
TRZ 24-230VUC 2CO**

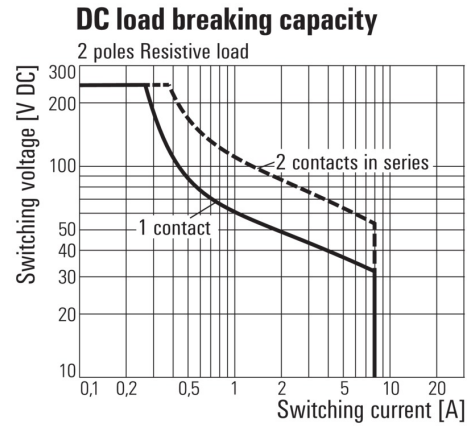
Weidmüller Interface GmbH & Co. KG
 Klingenbergstraße 16
 D-32758 Detmold
 Germany
 Fon: +49 5231 1429-0
 Fax: +49 5231 14292083
 www.weidmueller.com

Zeichnungen

Wiring diagram

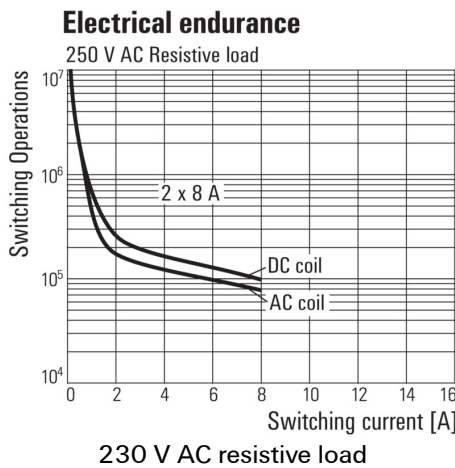


Graph

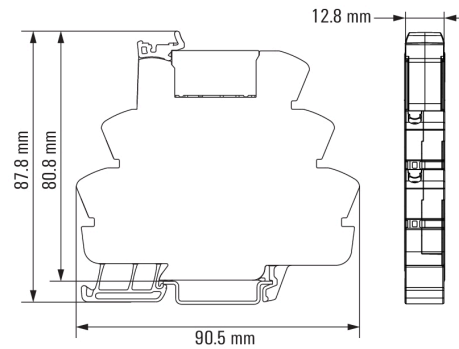


DC load limit curve

Electrical service life



Dimensioned drawing



**TERMSERIES
TRZ 24-230VUC 2CO**

Weidmüller Interface GmbH & Co. KG
 Klingenbergstraße 16
 D-32758 Detmold
 Germany
 Fon: +49 5231 1429-0
 Fax: +49 5231 14292083
 www.weidmueller.com

Zeichnungen

Type codes

