

- 1
- 2
- 3
- 4
- 5
- 6
- 7
- 8
- 9
- 10
- 11
- 12
- 13
- 14
- 15
- 16
- 17
- 18

MATERIAL

AISI 304 stainless steel.

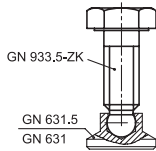
STANDARD EXECUTIONS

- **GN 933.5-MS**: brass bolt.
- **GN 933.5-KU**: acetal resin based (POM) technopolymer bolt, natural colour.
- **GN 933.5-ZK**: spherical end.

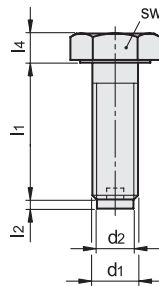
FEATURES AND APPLICATIONS

GN 933.5 screws avoid any damage to the contact surface, thanks to the bolt in brass or technopolymer.

The screws with spherical end (GN 933.5-ZK) may be used to implement different kinds of locking systems. For use on uneven or not parallel surfaces we recommend coupling with GN 631 (see page 862) in technopolymer or GN 631.5 (see page 863) in stainless steel, that avoid the rotation transmission to the surface to be locked and protect it from possible scratches.

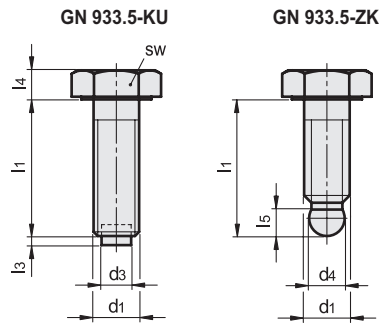


GN 933.5-MS



GN 933.5-MS

Code	Description	d1	d2	l1	l2	l4	sw	⚖
GN.13760	GN 933.5-M6-16-MS	M6	4	16	1	4	10	5
GN.13762	GN 933.5-M6-20-MS	M6	4	20	1	4	10	6
GN.13765	GN 933.5-M6-25-MS	M6	4	25	1	4	10	7
GN.13768	GN 933.5-M6-30-MS	M6	4	30	1	4	10	8
GN.13771	GN 933.5-M6-35-MS	M6	4	35	1	4	10	9
GN.13774	GN 933.5-M8-20-MS	M8	6	20	1.5	5.3	13	12
GN.13776	GN 933.5-M8-25-MS	M8	6	25	1.5	5.3	13	14
GN.13779	GN 933.5-M8-30-MS	M8	6	30	1.5	5.3	13	15
GN.13782	GN 933.5-M8-35-MS	M8	6	35	1.5	5.3	13	17
GN.13785	GN 933.5-M8-45-MS	M8	6	45	1.5	5.3	13	20
GN.13788	GN 933.5-M10-25-MS	M10	8	25	2	6.4	17	24
GN.13790	GN 933.5-M10-30-MS	M10	8	30	2	6.4	17	27
GN.13793	GN 933.5-M10-35-MS	M10	8	35	2	6.4	17	30
GN.13796	GN 933.5-M10-45-MS	M10	8	45	2	6.4	17	34
GN.13799	GN 933.5-M10-55-MS	M10	8	55	2	6.4	17	39



GN 933.5-KU

INOX STAINLESS STEEL

Code	Description	d1	d3	l1	l3	l4	sw	⚖️
GN.13759	GN 933.5-M6-16-KU	M6	3.5	16	1.3	4	10	5
GN.13761	GN 933.5-M6-20-KU	M6	3.5	20	1.3	4	10	6
GN.13764	GN 933.5-M6-25-KU	M6	3.5	25	1.3	4	10	6
GN.13767	GN 933.5-M6-30-KU	M6	3.5	30	1.3	4	10	7
GN.13770	GN 933.5-M6-35-KU	M6	3.5	35	1.3	4	10	8
GN.13773	GN 933.5-M8-20-KU	M8	5	20	1.6	5.3	13	11
GN.13775	GN 933.5-M8-25-KU	M8	5	25	1.6	5.3	13	13
GN.13778	GN 933.5-M8-30-KU	M8	5	30	1.6	5.3	13	14
GN.13781	GN 933.5-M8-35-KU	M8	5	35	1.6	5.3	13	16
GN.13784	GN 933.5-M8-45-KU	M8	5	45	1.6	5.3	13	19
GN.13787	GN 933.5-M10-25-KU	M10	6.5	25	1.9	6.4	17	23
GN.13789	GN 933.5-M10-30-KU	M10	6.5	30	1.9	6.4	17	25
GN.13792	GN 933.5-M10-35-KU	M10	6.5	35	1.9	6.4	17	28
GN.13795	GN 933.5-M10-45-KU	M10	6.5	45	1.9	6.4	17	32
GN.13798	GN 933.5-M10-55-KU	M10	6.5	55	1.9	6.4	17	37

GN 933.5-ZK

INOX STAINLESS STEEL

Code	Description	d1	d4	l1	l4	l5	sw	⚖️
GN.13763	GN 933.5-M6-20-ZK	M6	4.5 ±0.03	20	4	5.1	10	6
GN.13766	GN 933.5-M6-25-ZK	M6	4.5 ±0.03	25	4	5.1	10	6
GN.13769	GN 933.5-M6-30-ZK	M6	4.5 ±0.03	30	4	5.1	10	7
GN.13772	GN 933.5-M6-35-ZK	M6	4.5 ±0.03	35	4	5.1	10	8
GN.13777	GN 933.5-M8-25-ZK	M8	6.1 ±0.05	25	5.3	6.2	13	13
GN.13780	GN 933.5-M8-30-ZK	M8	6.1 ±0.05	30	5.3	6.2	13	14
GN.13783	GN 933.5-M8-35-ZK	M8	6.1 ±0.05	35	5.3	6.2	13	16
GN.13786	GN 933.5-M8-45-ZK	M8	6.1 ±0.05	45	5.3	6.2	13	19
GN.13791	GN 933.5-M10-30-ZK	M10	7.8 ±0.05	30	6.4	7.3	17	25
GN.13794	GN 933.5-M10-35-ZK	M10	7.8 ±0.05	35	6.4	7.3	17	27
GN.13797	GN 933.5-M10-45-ZK	M10	7.8 ±0.05	45	6.4	7.3	17	33
GN.13800	GN 933.5-M10-55-ZK	M10	7.8 ±0.05	55	6.4	7.3	17	38