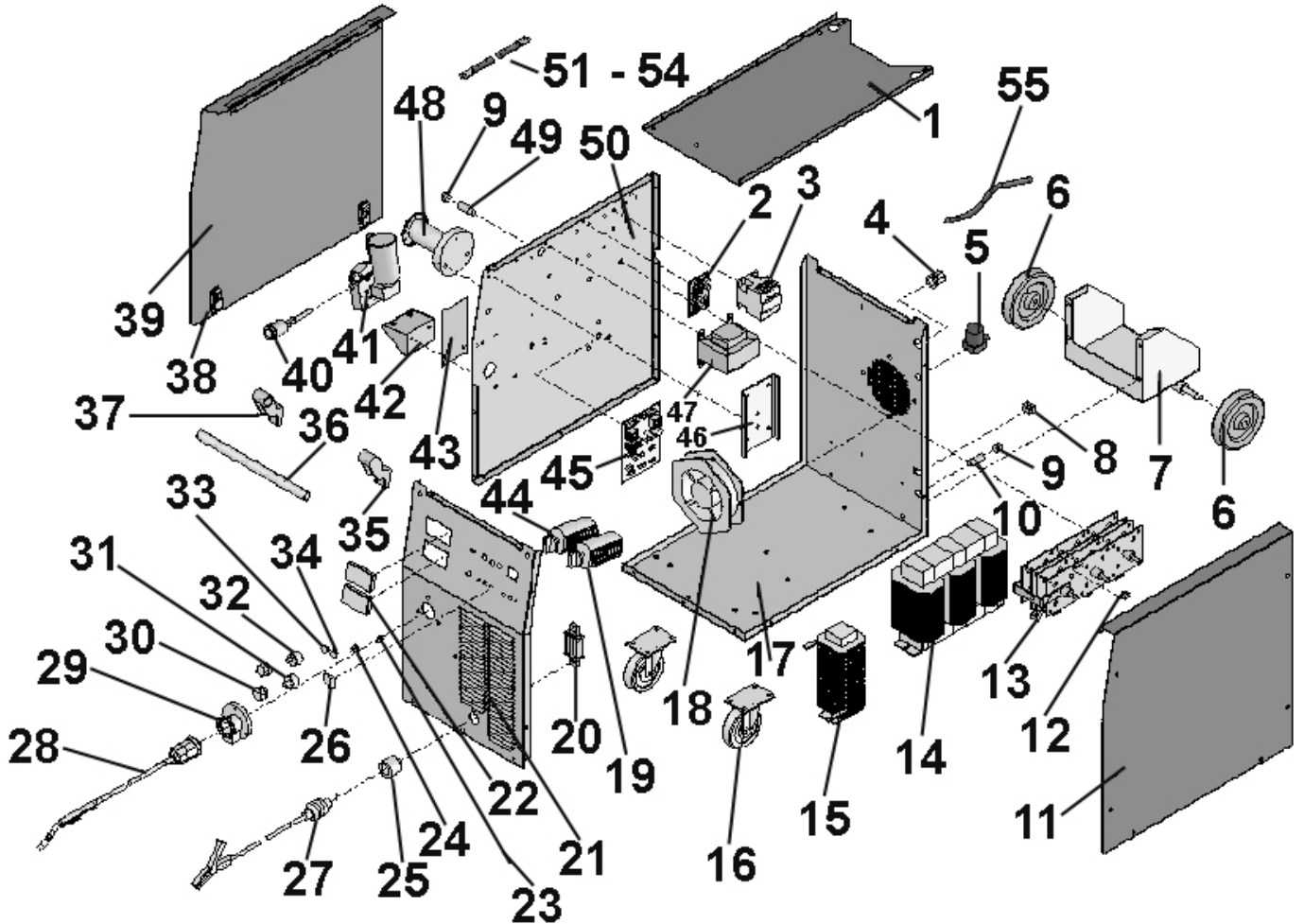




Parts Information:  
Professional MIG Welder 300Amp 415V  
3ph with Binzel® Euro Torch  
Model No: POWERMIG3530



**NOTE:** It is our policy to continually improve products and as such we reserve the right to alter data, specifications and component parts without prior notice.

**IMPORTANT:** No liability is accepted for incorrect use of product.

**WARRANTY:** Guarantee is 12 months from purchase date, proof of which will be required for any claim.

Sealey Group, Kempson Way, Suffolk Business Park, Bury St Edmunds, Suffolk. IP32 7AR



01284 757500



01284 703534



sales@sealey.co.uk



www.sealey.co.uk



Parts Information:  
**Professional MIG Welder 300Amp 415V  
 3ph with Binzel® Euro Torch  
 Model No: POWERMIG3530**

Item	Part No.	Description
1	PMIG3530.01	TOP COVER
2	PMIG3530.02	DIGITAL DISPLAY BOARD
3	PMIG3530.03	AC CONTACTOR
4	PMIG6025S.15	CABLE GLAND
5	PMIG3530.05	ELECTRO-VALVE
6	PMIG3530.06	WHEEL, FIXED (141x12x32)
7	PMIG3530.07	GAS CYLINDER BRACKET
8	PMIG6035S.10	SOCKET
9	PMIG3530.09	FUSE HOLDER
10	PMIG3530.10	FUSE 8A
11	PMIG3530.11	RIGHT SIDE PANEL
12	PMIG3530.12	THERMO-RELAY
13	PMIG3530.13	RECTIFIER
14	PMIG3530.14	TRANSFORMER
15	PMIG3530.15	REACTANCE
16	PMIG3530.16	WHEEL, CASTOR (100x6x24x128)
17	PMIG3530.17	BOTTOM PANEL
18	PMIG3530.18	FAN
19	PMIG3530.19	UNIVERSAL SELECTOR
20	PMIG6035S.41	SHUNT
21	PMIG3530.21	FRONT PANEL
22	PMIG3530.22	DIGIT AMMETER
23	PMIG3530.23	TOGGLE SWITCH
24	PMIG3530.24	GRIP
25	PMIG3530.25	QUICK SOCKET 'EURO TYPE'
26	PMIG3530.26	SWITCH, GREEN ROCKER
27	PMIG3530.27	EARTH CLAMP (c/w CABLE)
28	M/MIG250.77	MIG TORCH 3mtr EURO CONNECTOR BINZEL TB2
--	MIG/T25	MIG TORCH 3mtr EURO CONNECTOR TB25 (NOT SHOWN)

Item	Part No.	Description
29	PMIG3530.29	TORCH HOLDER
30	PMIG3530.30	POTENTIOMETER KNOB
31	PMIG3530.31	POTENTIOMETER
32	SMIG180.V3-06	POTENTIOMETER
33	PMIG3530.33	INDICATOR LIGHT (GREEN)
34	PMIG3530.34	INDICATOR LIGHT (YELLOW)
35	PMIG3530.35	HANDLE SUPPORT, RIGHT
36	PMIG3530.36	HANDLE
37	PMIG3530.37	HANDLE SUPPORT, LEFT
38	SMIG275.14	DOOR LOCK
39	PMIG3530.39	LEFT SIDE PANEL
40	PMIG3530.40	EURO TYPE QUICK SOCKET
41	PMIG3530.41	DRIVE MOTOR
42	PMIG3530.42	SUPPORT PLATE
43	PMIG3530.43	INSULATION PLATE
44	PMIG3530.44	UNIVERSAL SELECTOR
45	PMIG3530.45	CONTROL BOARD
46	PMIG3530.46	BRACKET BASE PLATE
47	PMIG3530.47	CONTROL TRANSFORMER
48	SMIG275.45	SPOOL HOLDER
49	PMIG6035S.17	FUSE 3A
50	PMIG3530.50	MIDDLE PANEL
51	PMIG3530.51	SECONDARY CABLE(210mm)
52	PMIG3530.52	CONNECT CABLE (A)
53	PMIG3530.53	CONNECT CABLE (B)
54	PMIG3530.54	CONNECT CABLE (C)
55	MC4CX2.5	MAINS CABLE BLK,4 CORE,2.5MM2
--	MIG920	CONTACT TIP 1.6mm TB25/36 Pack of 5 (NOT SHOWN)
--	MIG923	CONTACT TIP 1.6mm ALUMINIUM TB25/36 Pack (NOT SHOWN)

**NOTE:** It is our policy to continually improve products and as such we reserve the right to alter data, specifications and component parts without prior notice.

**IMPORTANT:** No liability is accepted for incorrect use of product.

**WARRANTY:** Guarantee is 12 months from purchase date, proof of which will be required for any claim.

**Sealey Group**, Kempson Way, Suffolk Business Park, Bury St Edmunds, Suffolk. IP32 7AR



01284 757500



01284 703534



sales@sealey.co.uk



www.sealey.co.uk