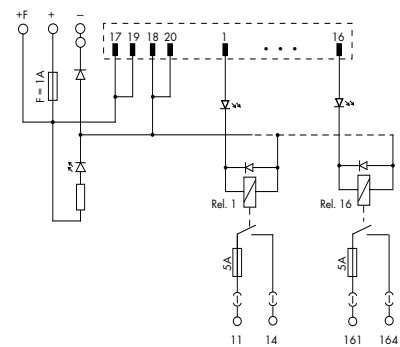
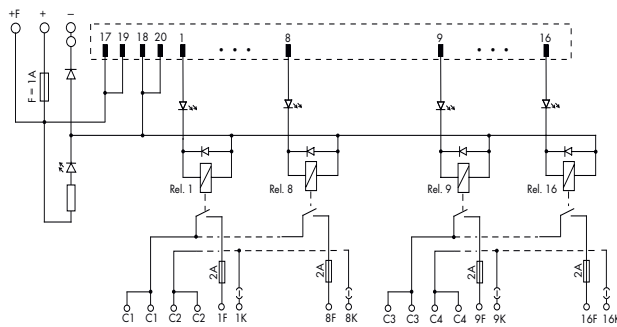
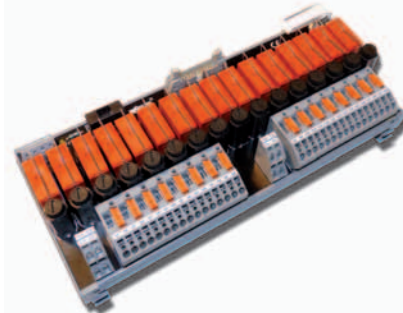


# Interface Modules for System Wiring

704 Series



	<p>Relay output module with miniature switching relay for 16 channels, 1 make contact each (1 a) with integrated status indication, disconnect terminal block and output fuse, 20-pole connector acc. to DIN 41651</p>	<p>Relay output module with miniature switching relay for 16 channels, 1 make contact each (1 a) with integrated status indication, double disconnect terminal block and output fuse, 20-pole connector acc. to DIN 41651</p>
--	--	---



Description	Item No.	Pack. Unit	Item No.	Pack. Unit
Switching relay module, for DIN 35 rail	704-5054	1	704-5074	1

Technical Data				
Contact material	AgNi 90/10		AgNi 90/10	
Contact type	1 make contact		1 make contact	
Operating voltage	24 V DC (± 10 %)		24 V DC (± 10 %)	
Max. switching voltage	250 V AC / 48 V DC		250 V AC / 48 V DC	
Max. continuous current	2 A		5 A	
Max. switching power (resistive)	500VA / 50W		1250VA / 50W	
Status indication	LED green : Channel LED yellow : Power supply		LED green : Channel LED yellow : Power supply	
Mechanical life	30 x 10 <sup>6</sup> switching operations		30 x 10 <sup>6</sup> switching operations	
Dielectric strength contact-coil (AC, 1 min)	4 kV		4 kV	
Dielectric strength contact-contact	1 kV		1 kV	
Fuse	Supply: 1 A Relay output: 2 A		Supply: 1 A Relay output: 5 A	
Ambient operating temperature	-25 °C ... +50 °C		-25 °C ... +50 °C	
Storage temperature	-40 °C ... +70 °C		-40 °C ... +70 °C	
Dimensions (mm) L x W x H incl. mounting carrier and relay	240 x 55 x 105		240 x 55 x 105	
Wire connection	Height from upper-edge of DIN 35 rail Inpu: 20-pole connector acc. to DIN 41651 Output: CAGE CLAMP®		Height from upper-edge of DIN 35 rail Inpu: 20-pole connector acc. to DIN 41651 Output: CAGE CLAMP®	
Cross sections	0.08 mm <sup>2</sup> ... 2.5 mm <sup>2</sup> / AWG 28 ... 12		0.08 mm <sup>2</sup> ... 2.5 mm <sup>2</sup> / AWG 28 ... 12	
Strip length	5 ... 6 mm / 0.22 in		5 ... 6 mm / 0.22 in	
Accessories	Spare relay 788-154		Spare relay 788-154	