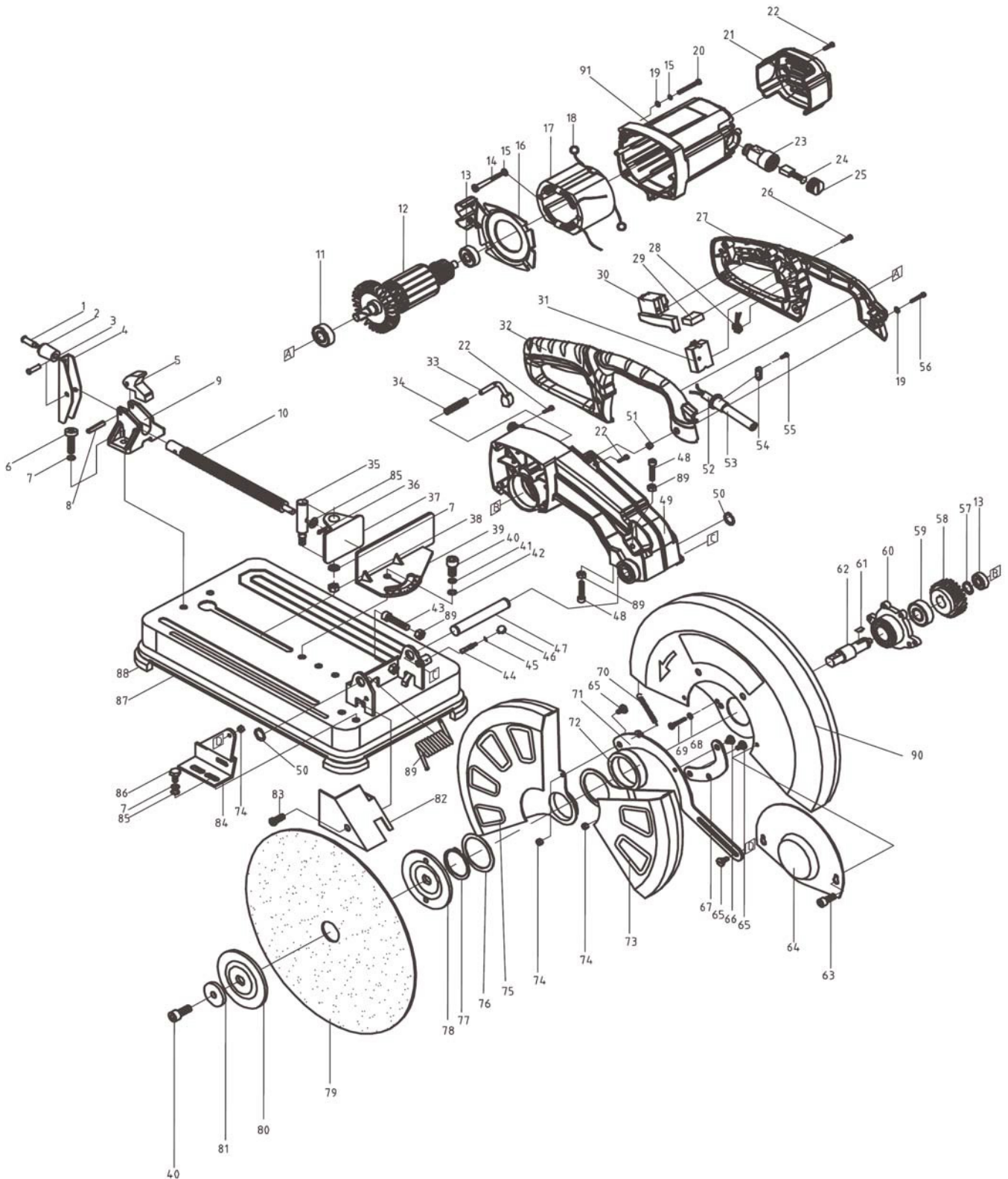


Parts Information:
**Cut-Off Saw Ø355mm 230V Abrasive Disc
 Portable
 Model No: SM355D**



NOTE: It is our policy to continually improve products and as such we reserve the right to alter data, specifications and component parts without prior notice.

IMPORTANT: No liability is accepted for incorrect use of product.

WARRANTY: Guarantee is 12 months from purchase date, proof of which will be required for any claim.

1	SM355D.01	RADIAL RIVET
2	SM355D.02	PIVOT HANDLE BEAD
3	SM355D.03	RADIAL RIVET
4	SM355D.04	PIVOT HANDLE
5	SM355D.05	MOVABLE NUT
6	SCB830.S	SOCKET CAP BOLT ZINC M8X30
7	SWM8.S	SPRING WASHER M8 ZINC (SINGLE)
8	SM355D.08	SPRING PIN 6X30
9	SM355D.09	CLAMPING NUT BODY
10	SM355D.10	CLAMPING SCREW
11	B/6202ZZ	BEARING 6202ZZ
12	SM355D.12	ARMATURE
13	B/6000ZZ	BEARING 6000ZZ
14	SM355D.14	RD HEAD S/T SCREW M4.6 X 85
15	MG314.V2-24	SPRING WASHER (5mm)
16	SM355D.16	AIR DEFLECTOR
17	SM355D.17	STATOR
18	SM355D.18	SPRING TERMINAL -PAIR (FITS AROUND BRUSH)
19	SM355D.19	FLAT WASHER M5
20	SM355D.20	SCREW M5X40
21	SM355D.21	REAR COVER
22	SM355D.22	SCREW ST4.2X14
23	SM355B.04	BRUSH HOLDER
24	SM355D.24	CARBON BRUSH
25	SM355D.25	CARBON BRUSH COVER
26	SM355D.26	SCREW ST4.2X16
27	SM355D.27	LEFT HANDLE
28	SM355D.28	INDUCTANCE
29	SM355D.29	CAPACITOR
30	SM355D.30	SWITCH
31	SM355D.31	SOFT STATOR
32	SM355D.32	RIGHT HANDLE
33	SM355D.33	MOVABLE PIN
34	SM355D.34	SPRING
35	SM355D.35	MOVABLE PIN
36	SM355D.36	SPLIT PIN
37	SM355D.37	MOVABLE CLAMP
38	SN8.S	STEEL NUT M8 ZINC DIN934 (SINGLE)
39	SM355D.39	GAUGE PLATE
40	SCB1020.S	SOCKET CAP BOLT ZINC M10X20
41	SWM10.SB	SPRING WASHER M10 BLACK(SINGLE)
42	SM355D.42	FLAT WASHER
43	SM355D.43	HEX. SCREW M8X45
44	SM355D.44	LOCKING PIN
45	SM355D.45	O RING 8X1
46	SM355D.46	PLASTIC BALL
47	SM355D.47	SHAFT

Item	Part No.	Description
48	SM355D.48	HEX. SCREW M8X30
49	SM355D.49	CUTTING ARM
50	SM355D.50	SPINDLE DEFLECTOR
51	SN5.S	STEEL NUT M5 ZINC DIN934 (SINGLE)
52	SM355D.52	PLUG
53	SM355D.53	CABLE SLEEVE
54	SM355D.54	CABLE CLAMP
5	SM355D.55	SCREW ST4.2X14
56	SM355D.56	SCREW M5X30
57	SM355D.57	CIRCLIP
58	SM355D.58	GEAR (BIG)
59	B/6203ZZ	BEARING 6203ZZ (LSA)
60	SM355D.60	BEARING HOLDER
61	SM355D.61	WOODRUFF KEY 4X113
62	SM355D.62	SPINDLE
63	SM355D.63	HEX. SCREW M6X8
64	SM355D.64	OUTER GUARD
65	SM355D.65	SCREW
66	SM355D.66	BOLT
67	SM355D.67	CONNECTING ROD
68	FWM5.S	FLAT WASHER M5 SINGLE
69	SM355D.69	SCREW
70	SM355D.70	TENSION SPRING
71	SM355D.71	CONNECTING ROD (LONG)
72	SM355D.72	FLANGE
73	SM355D.73	PROTECTION COVER
74	SN5.S	STEEL NUT M5 ZINC DIN934 (SINGLE)
75	SM355D.75	PROTECTION COVER
76	SM355D.76	FLAT WASHER
77	SM355D.77	RETAINING RING
78	SM355D.78	OUTER FLANGE
79	SM355D.79	CUTTING DISC
--	PTC/355C	CUTTING DISC 355 x 3.0mm 25.4mm BORE (NOT SHOWN)
80	SM355D.80	INNER FLANGE
81	SM355D.81	BUSHING
82	SM355D.82	DISC GUARD
83	SM355D.83	HEX. SCREW M6X12
84	SM355D.84	ROD BRACKET
85	SM355D.85	FLAT WASHER M8
86	SM355D.86	HEX. BOLT M8X20
87	SM355D.87	BASE
88	SM355D.88	RUBBER FOOT
89	SM355D.89	TORSION SPRING
90	SM355D.90	GUARD
91	SM355D.91	MOTOR HOUSING

