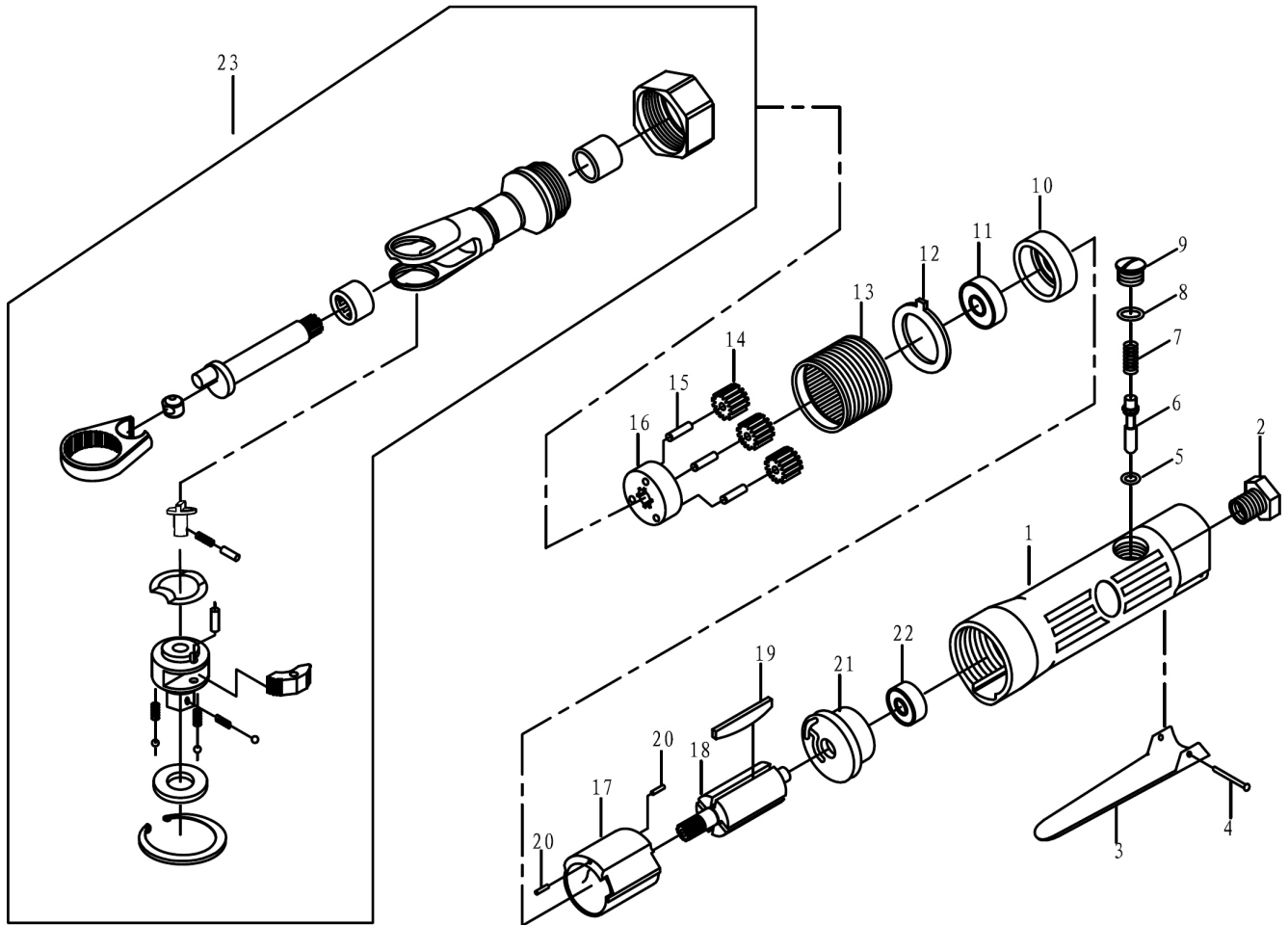




Parts Information:  
**Air Ratchet Wrench 1/2" Sq Drive & 3/8" sq Drive**  
**Model No: SA21/S.V3 & SA20/S.V3**



Item	Part No.	Description	Item	Part No.	Description
1	SA21S.V3-01	HOUSING	14	SA21S.V3-14	PLANET GEAR
2	SA21S.V3-02	AIR INLET CONNECTOR	15	SA21S.V3-15	PLANET PIN
3	SA21S.V3-03	TRIGGER	16	SA21S.V3-16	PLANET CAGE
4	SA21S.V3-04	TRIGGER PIN	17	SA21S.V3-17	CYLINDER
5	SA21S.V3-05	O-RING	18	SA21S.V3-18	ROTOR
6	SA21S.V3-06	VALVE PIN	19	SA21S.V3-19	ROTOR BLADE
7	SA21S.V3-07	VALVE SPRING	20	SA21S.V3-20	STRAIGHT PIN
8	SA21S.V3-08	O-RING	21	SA21S.V3-21	BACK CYLINDER HEAD
9	SA21S.V3-09	VALVE PLUG	22	SA21S.V3-22	BEARING
10	SA21S.V3-10	FRONT CYLINDER HEAD	23	SA21/S.V3-23	RACHET HANDLE ASSEMBLY 1/2"SQ DRIVE (SA21/S ONLY)
11	SA21S.V3-11	BEARING	23	SA20S.V3-23	RACHET HANDLE ASSEMBLY 3/8"SQ DRIVE (SA20/S ONLY)
12	SA21S.V3-12	WASHER			
13	SA21S.V3-13	GEAR RING			

**NOTE:** It is our policy to continually improve products and as such we reserve the right to alter data, specifications and component parts without prior notice.

**IMPORTANT:** No liability is accepted for incorrect use of product.

**WARRANTY:** Guarantee is 12 months from purchase date, proof of which will be required for any claim.

**Sealey Group**, Kempson Way, Suffolk Business Park, Bury St Edmunds, Suffolk. IP32 7AR



01284 757500



01284 703534



sales@sealey.co.uk



www.sealey.co.uk