








SEMI-CONDUCTOR CONTACTOR 3RF2 AC 51 10 A
40 DEGREES C 48-460 V / 24 V DC SCREW
TERMINAL

Main circuit:

Operating current		
<ul style="list-style-type: none"> • at AC-1 at 400 V Rated value • at AC-51 Rated value 	A	10.5
Operating current minimum	mA	101
Rate of voltage rise at the thyristor for main contacts maximum permissible	V/ μ s	1 000
I²t value maximum	A ² ·s	200

Certificates/ approvals:

General Product Approval	EMC	Declaration of Conformity	Test Certificates
 CSA	 UL		 C-TICK
		 EG-Konf.	Type Test Certificates/Test Report

Test Certificates	other
Special Test Certificate	Environmental Confirmations

Further information

Short-circuit protection, design of the fuse link

https://www.automation.siemens.com/cd-static/material/info/3RF23_eng.pdf

Information- and Downloadcenter (Catalogs, Brochures,...)

<http://www.siemens.com/industrial-controls/catalogs>

Industry Mall (Online ordering system)

<http://www.siemens.com/industrymall>

Cax online generator

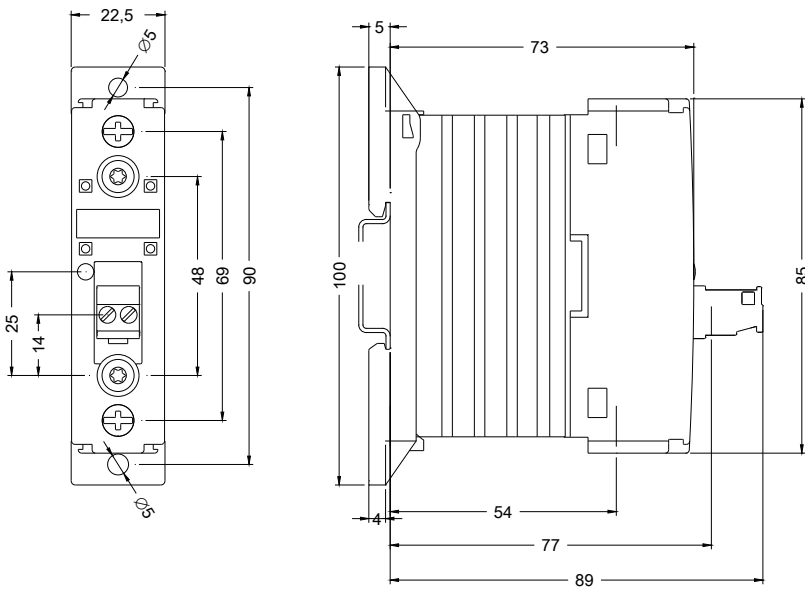
<http://support.automation.siemens.com/WW/CAXorder/default.aspx?lang=en&mfb=3RF23101AA040KN0>

Service&Support (Manuals, Certificates, Characteristics, FAQs,...)

<http://support.automation.siemens.com/WW/view/en/3RF23101AA040KN0/all>

Image database (product images, 2D dimension drawings, 3D models, device circuit diagrams, EPLAN macros, ...)

http://www.automation.siemens.com/bilddb/cax_de.aspx?mfb=3RF23101AA040KN0&lang=en



last modified:

09.03.2015