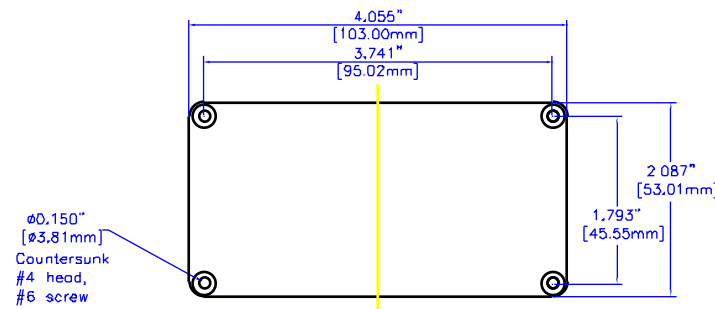
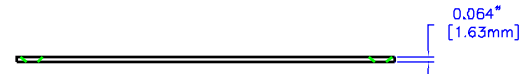
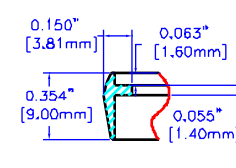


NOTES

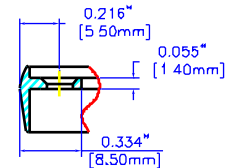
Constructed from extruded Al with a minimum thickness of 0.060"(1.50mm)  
 Available in clear or Black anodized finish  
 Version 1 includes two Al end panels, and two Black plastic bezels.  
 Hardware and self-adhesive rubber feet included.



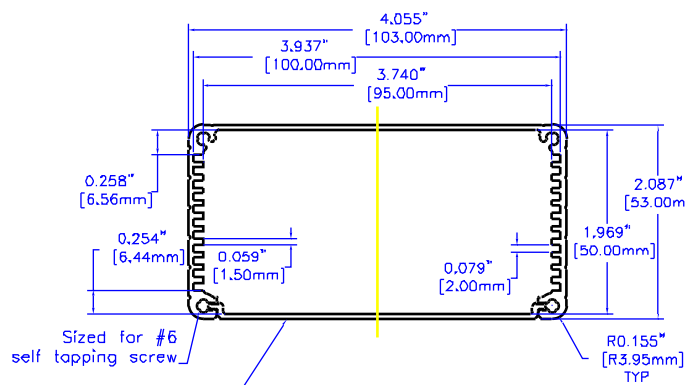
PANEL



SECTION A-A  
SCALE 2:1



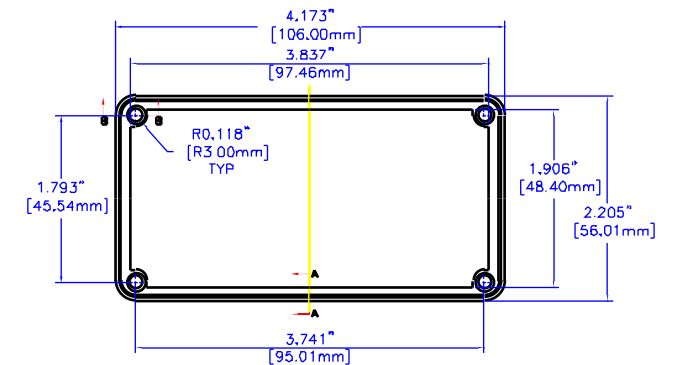
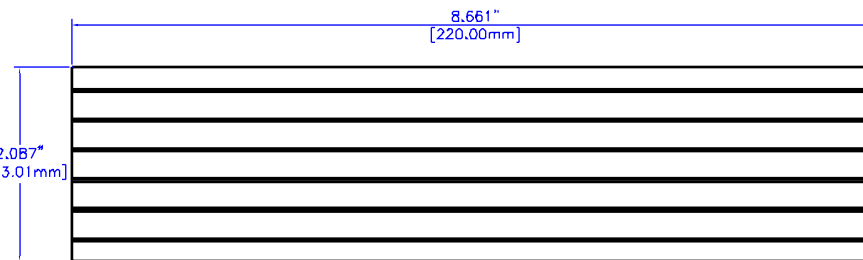
SECTION B-B  
SCALE 2:1



Sized for #6 self tapping screw

Base Plate is removable.

EXTRUSION



BEZEL

For the best fit print on legal size paper.

THIS DRAWING IS PROPRIETARY INFORMATION OF HAMMOND MFG.CO.LTD. NOT TO BE USED WITHOUT EXPRESSED WRITTEN PERMISSION OF HAMMOND MFG.CO.LTD.

Rev	ECN	Description	Date	By
△	N/A	RELEASE	01 15 02	MM

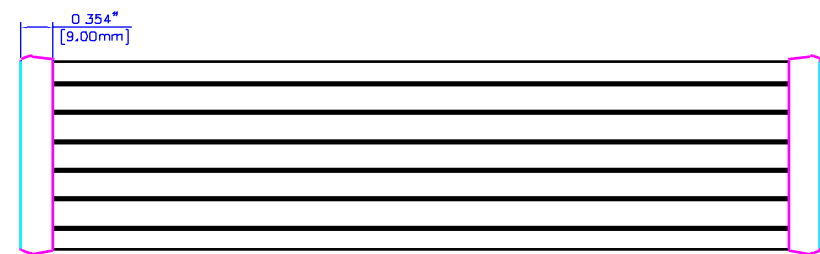
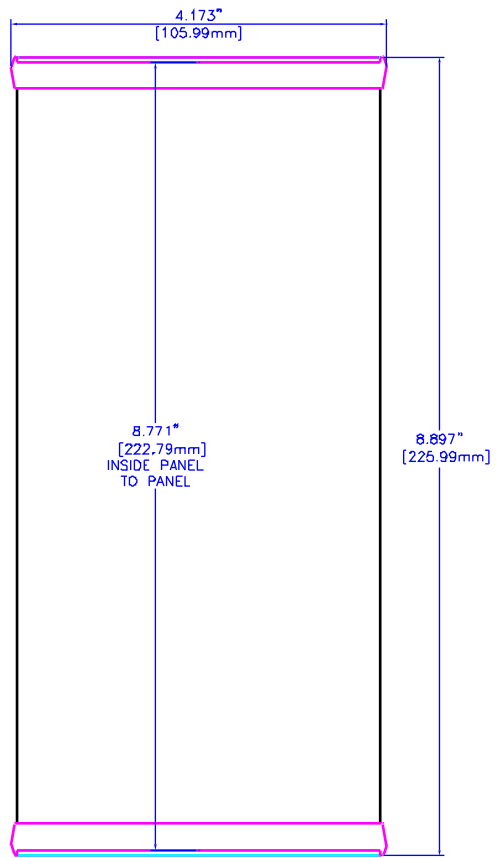
Unless otherwise spec'd dimensions are in inches  
 Tolerances are:  
 .X ± .1  
 .XX ± .02  
 .XXX ± .010  
 .XXXX ± .0005  
 Holes ± .0050  
 Angles ± .5°

Dwn	M. MERCER
Date	01 15 02
Chk	---
Mat'l	Extruded Aluminum
Sheet	1 of 2

**HAMMOND MANUFACTURING CO. LTD.**  
 Electronics Group, Waterloo, Ont. - Cheektowaga, NY

**HAMMOND 1455 SERIES  
 EXTRUDED ALUMINUM**

Part# 1455N2201 Dwg: 1455N2201A



**NOTES**

Constructed from extruded Al with a minimum thickness of 0.060"(1.50mm)  
 Available in clear or Black anodized finish  
 Version 1 includes two Al end panels, and two Black plastic bezels.  
 Hardware and self-adhesive rubber feet included.

ASSEMBLY

For the best fit print  
on legal size paper.

THIS DRAWING IS PROPRIETARY INFORMATION  
OF HAMMOND MFG.CO.LTD, NOT TO BE USED  
WITHOUT EXPRESSED WRITTEN PERMISSION  
OF HAMMOND MFG.CO.LTD.

Rev	ECN	Description	Date	By
△	N/A	RELEASE	01 15 02	MM

Unless otherwise spec'd  
dimensions are in inches  
Tolerances are:  
 X ± .1  
 XX ± .02  
 XXX ± .010  
 XXXX ± .0050  
 Holes ± .005  
 Angles ± .5°

Own	M, MERCER
Date	01 15 02
Cnk	---
Mat'l	Extruded Aluminum
Sheet	1 of 1

**HAMMOND MANUFACTURING CO. LTD.**  
 Electronics Group, Waterloo, Ont. - Cheektowaga, NY

**HAMMOND 1455 SERIES  
 EXTRUDED ALUMINUM**

Part#: 1455N2201      Dwg: 1455N2201A