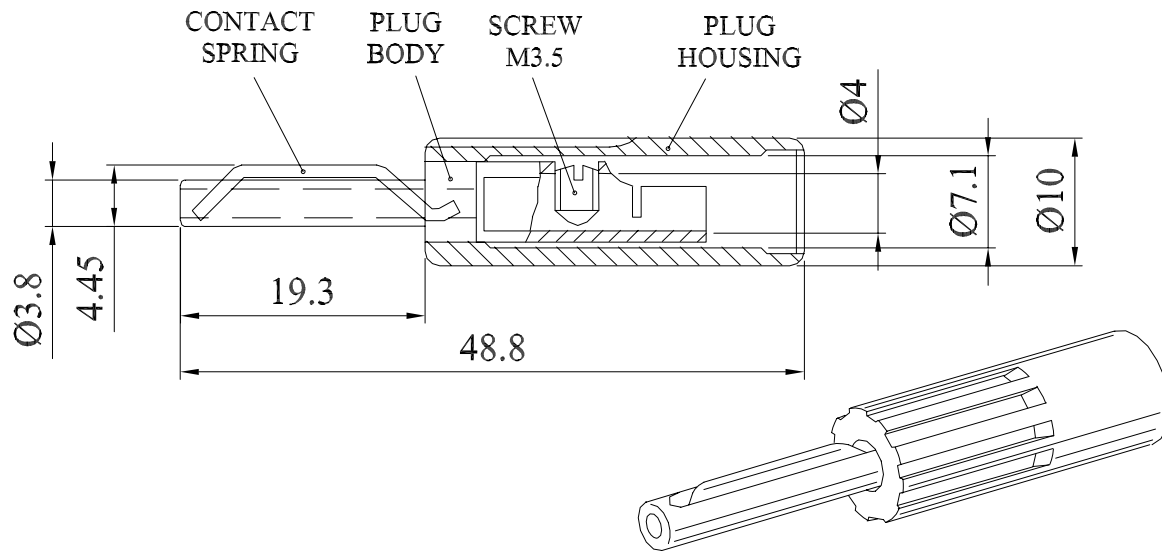


Dimensions



CONVERTED FROM PS0336 ISS5 (02.12.97) IN JAN 2003

DrgNo 584 SERIES	TITLE STANDARD 4mm PLUG	ALL DIMENSIONS IN MM ANGLES IN DECIMAL DEGREES
------------------	-------------------------	---

	ISSUE 5 GENERAL SPECIFICATION FOR 584 SERIES	CUSTOMER		FILTER REF	
		Aprvd Date 10/02/03	Aprvd By MC	Drwn by BFS	Scale: NTS