

Data sheet Actuator.

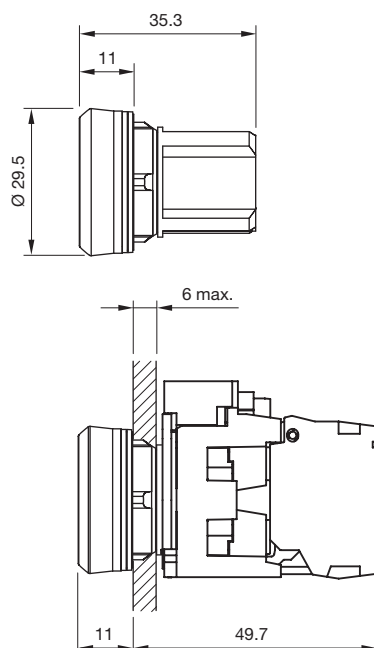
Part No.: 45-2131.1120.000

Technical data

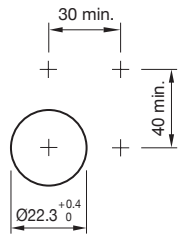


Design	raised
Front dimension	Ø 29,5 mm
Terminal	null
Lens illumination	non illuminative
Lens colour	Red
Lens shape	flush
Lens material	Plastic
Lens optics	opaque
Lens type	level with front bezel
Front bezel colour	Black
Front bezel material	Plastic
Housing colour	Black
Housing material	Plastic
Weight	0.019 kg
IP front protection	IP66, IP67, IP69K
Switching action	Momentary
Switching system	Slow-make switching element
Operating temperature	- 25 °C ... + 70 °C
Climate resistance	During operation according to IEC 60721: 3K6, 3C3, 3S2, 3M6
Mechanical lifetime	500 000 cycles of operation

Dimensions



Mounting cut-outs



Wiring diagrams

