

**MATERIAL**

Anodised aluminium, ground surface, matte finish.

**STANDARD EXECUTIONS**

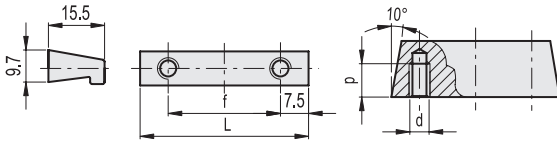
- **RHLG-01 / 02 / 03 / 04 / 05:** threaded blind holes.
- **RHLG-07:** pass-through holes for M4 countersunk head screws.

Colour index:

- **01:** natural colour.
- **04:** black colour.

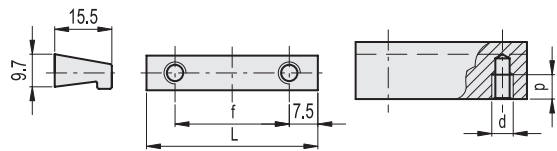
**SPECIAL EXECUTIONS ON REQUEST**

Different colours and lengths.



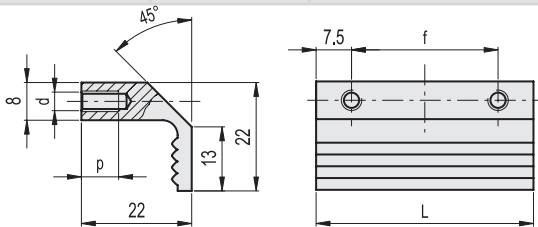
**RHLG-01**

Code	Code	f	L	d	p
RHLG-01.030.01	RHLG-01.030.04	30	45	M5	10



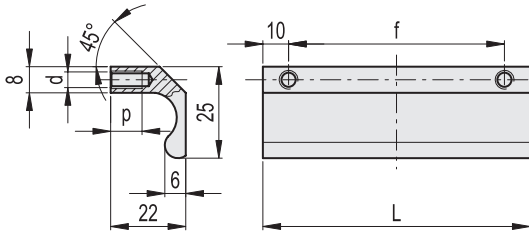
**RHLG-02**

Code	Code	f	L	d	p
RHLG-02.030.01	RHLG-02.030.04	30	45	M4	8
RHLG-02.045.01	RHLG-02.045.04	45	60	M4	8
RHLG-02.070.01	RHLG-02.070.04	70	85	M4	8
RHLG-02.090.01	RHLG-02.090.04	90	105	M4	8



**RHLG-03**

Code	Code	f	L	d	p
RHLG-03.030.01	RHLG-03.030.04	30	45	M4	8
RHLG-03.045.01	RHLG-03.045.04	45	60	M4	8
RHLG-03.070.01	RHLG-03.070.04	70	85	M4	8
RHLG-03.090.01	RHLG-03.090.04	90	105	M4	8

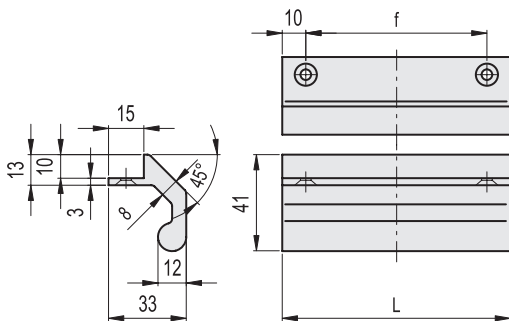


**RHLG-04**

Code	Code	f	L	d	p
RHLG-04.030.01	RHLG-04.030.04	30	50	M4	10
RHLG-04.045.01	RHLG-04.045.04	45	65	M4	10
RHLG-04.064.01	RHLG-04.064.04	64	84	M4	10
RHLG-04.070.01	RHLG-04.070.04	70	90	M4	10
RHLG-04.080.01	RHLG-04.080.04	80	100	M4	10
RHLG-04.090.01	RHLG-04.090.04	90	110	M4	10

**RHLG-05**

Code	Code	f	L	d	p
RHLG-05.064.01	RHLG-05.064.04	64	84	M6	10
RHLG-05.070.01	RHLG-05.070.04	70	90	M6	10
RHLG-05.080.01	RHLG-05.080.04	80	100	M6	10
RHLG-05.090.01	RHLG-05.090.04	90	110	M6	10



**RHLG-07**

Code	Code	f	L
RHLG-07.064.01	RHLG-07.064.04	64	84
RHLG-07.070.01	RHLG-07.070.04	70	90
RHLG-07.080.01	RHLG-07.080.04	80	100
RHLG-07.090.01	RHLG-07.090.04	90	110
RHLG-07.105.01	RHLG-07.105.04	105	125

- 1
- 2
- 3
- 4
- 5
- 6
- 7
- 8
- 9
- 10
- 11
- 12
- 13
- 14
- 15
- 16
- 17
- 18

Lift & Pull handles