

ARCA 504021

FIBOX

Enclosing innovations



Sample image

Order symbol: ARCA 504021

Product nbr: 8120011

Description: Cabinet. PC

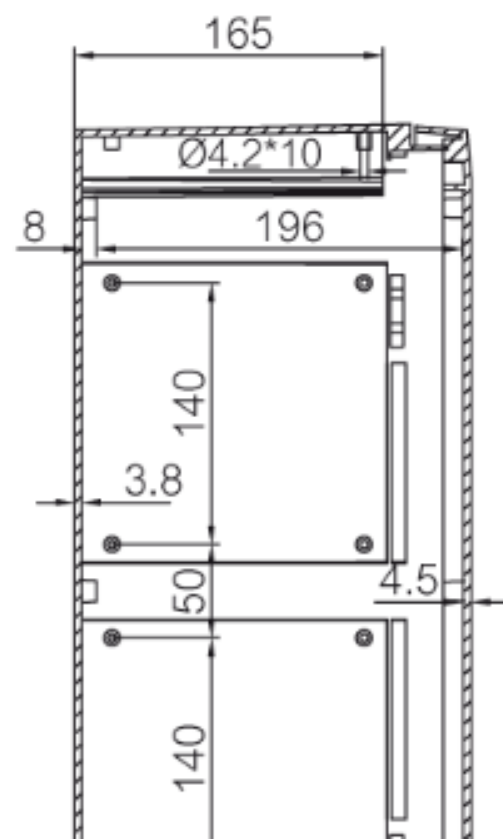
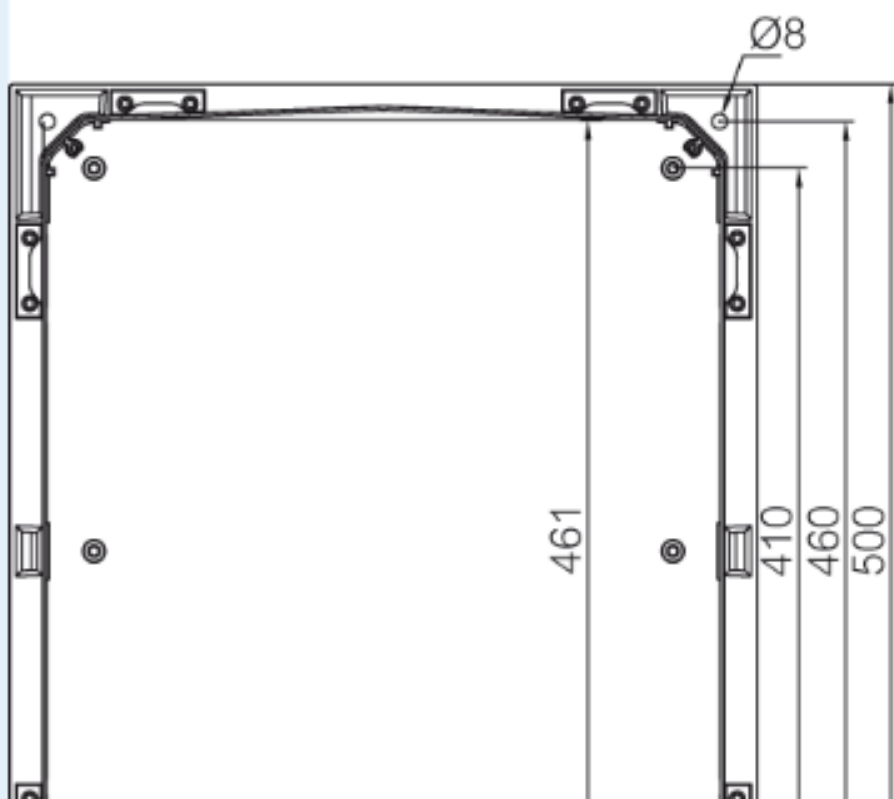
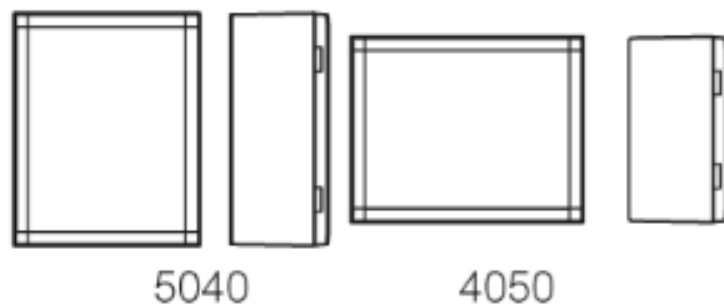
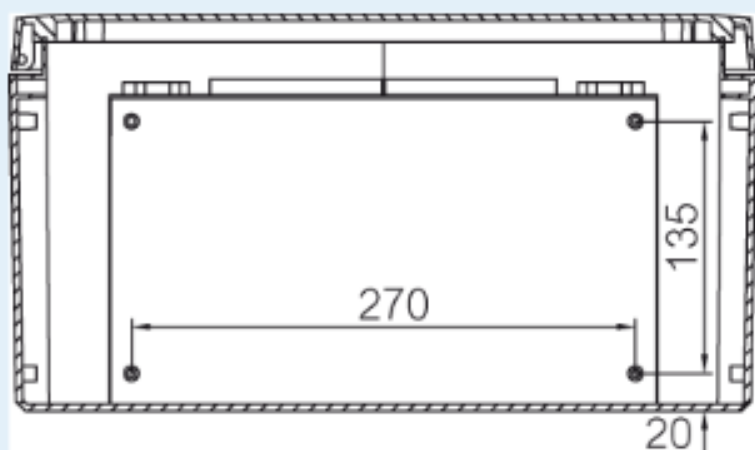
Remarks: Grey cover. 2-point locking. hinges on the long side

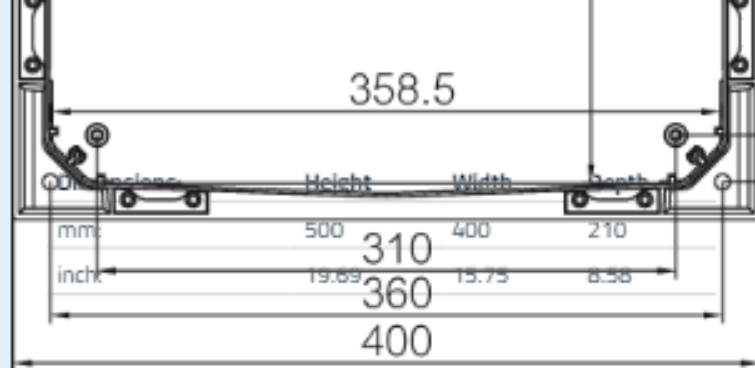
Including: Cabinet base. door with PUR gasket. mounting plate. screws for mounting plate. 3mm double bit lock(s) with key. 5 versions with swinghandle 2-point locking system. Door guide included.

EAN: 6418074079220

El. number:

- Finland: 3423099
- Denmark: 8212091090
- Sweden: 2500116





Materials:

Material:	Polycarbonate
Base colour:	RAL 7035 -light grey
Cover colour:	RAL 7035 -light grey
Gasket material:	Polyurethane

Temperatures:

Temperature °C (short term):	-40 ... 120
Temperature °C (continuous):	-40 ... 80
Temperature °F (short term):	-40 ... 250
Temperature °F (continuous):	-40 ... 175

Accessories:

SBK ARCA 50	Support bar kit (435 x 40 x 30)
IDS ARCA 5040	Inner door set (485 x 385 x 35)
MPX ARCA 5040	Mounting plate (450x350 mm) (450 x 350 x 5)
MPMP ARCA 5040	Mounting plate multiperforated (450x350x2 mm - ø3.6 mm) (450 x 350 x 2)
SBK ARCA 40	Support bar kit (340 x 40 x 30)
MPP ARCA 5040	Mounting plate perforated (450x350x2 mm - 26x11 mm) (450 x 350 x 2)
DRS ARCA 504021	DIN rail frame set (485 x 385 x 35)
PMK ARCA 40	PoleMounting kit. for pole ø100-300mm (385 x 285 x 35)
DSP ARCA VLS	Door stopper ARCA. vertical. left. small
MPS ARCA 5040	Mounting plate (450x350x2 mm) (450 x 350 x 2)
RCS ARCA 5040	Rain canopy set for size 5040 (20 x 400 x 30)
DSP ARCA VRS	Door stopper ARCA. vertical. right. small

Rating:

Ingress protection (EN 60529):	IP66;
Impact Resistance (EN 62262):	IK10;
Electrical insulation:	Totally insulated
Halogen free (DIN/VDE 0472, Part 815):	1
UV resistance:	UL 508
Flammability Rating:	UL 94 5VA
Glow Wire Test (IEC 695-2-1) °C:	960 °C
NEMA Class	NEMA 1, 4, 4X, 12 and 13

Certificates:

Certificate FI 40467