

## 4mm Safety Test Clips



### DESCRIPTION

A Safety Test Clip with retractable spring hook clip. Designed for use with 4mm connection test leads.

### DISTINCTIVE FEATURES

- 4mm Socket connection
- For use with 4mm test leads
- Available in red or black
- Clips for easy connection to terminals
- CATIII rated

### APPLICATIONS

Suitable for a wide range of test applications, including electrical and instrument testing and measurement. In combination with 4mm test leads they are useful for electronics testing and prototyping to grasp components while avoiding short circuiting.

4mm

CATIII

10A

Red

Black





## GENERAL SPECIFICATION

Series	Test probes	
Type	Safety test clips with 4mm socket connection	
Quantity	1	
Test Leads	For use with the R-TECH ranges of 4mm stackable plugs & retractable shroud stackable plugs, see order codes below	
	52-4591	52-4596
	52-4592	52-4597
	52-4593	52-4598
	52-4594	52-4599
	52-4595	52-4600



## ELECTRICAL SPECIFICATION

Rated Voltage	1000V
Rated Current	Max 10A
Contact Resistance	$\leq 0.005\Omega$
Insulating Resistance	$\geq 500M\Omega$



## MATERIALS

Material (Contact)	Brass & stainless steel
Material (Insulator)	PA (polyamide)



## ENVIRONMENTAL/OPERATING SPECIFICATION

Flame Retardancy	U1581L VW-1
Operating Temperature	-10°C~80°C
RoHS	Yes



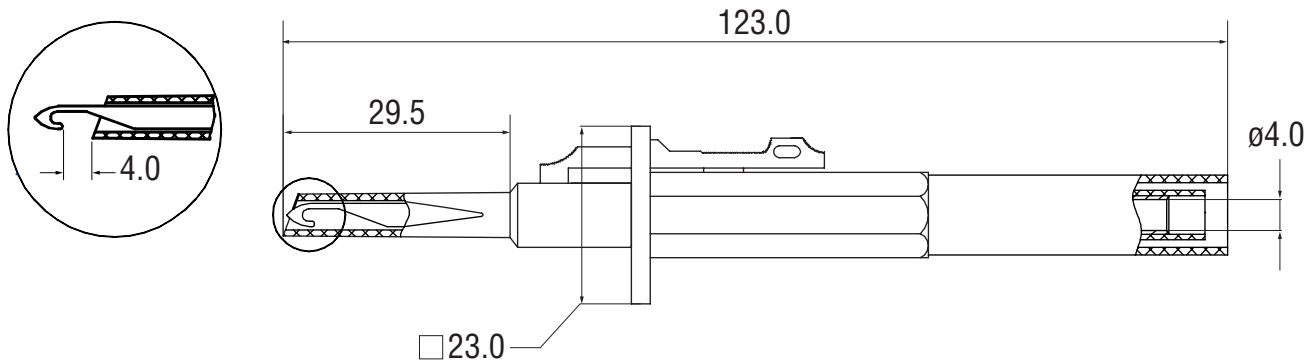
## CERTIFICATION AND STANDARDS

Rated Voltage	CATIII
---------------	--------



## DIMENSIONS/DRAWINGS

Units	mm - unless stated otherwise
Length (overall)	123mm
Length (Probe tip)	29.5mm
Opening width (Probe tip)	4mm
Socket Connection Diameter	4mm
Weight	11.3g



## PART NUMBER TABLE

Part Number	Insulator or Body Colour	EAN	UNSPSC	Country of Origin
52-4611	Red	5053556006212	41111905	China
52-4612	Black	5053556006229	41111905	China

# R-TECH

Tried & trusted technology

**Important Notice:** This data sheet and its contents (the "Information") belong to Rapid Electronics Limited or are licensed to it. No licence is granted for the use of it other than for information purposes in connection with the products to which it relates. No licence of any intellectual property rights is granted. The Information is subject to change without notice and replaces all data sheets previously supplied. The Information supplied is believed to be accurate but Rapid Electronics Limited assumes no responsibility for its accuracy or completeness, any error in or omission from it or for any use made of it. Users of this data sheet should check for themselves the Information and the suitability of the products for their purpose and not make any assumptions based on information included or omitted. Liability for loss or damage resulting from any reliance on the Information or use of it (including liability resulting from negligence or where Rapid Electronics Limited were aware of the possibility of such loss or damage arising) is excluded. This will not operate to limit or restrict Rapid Electronics Limited's liability for death or personal injury resulting from its negligence.