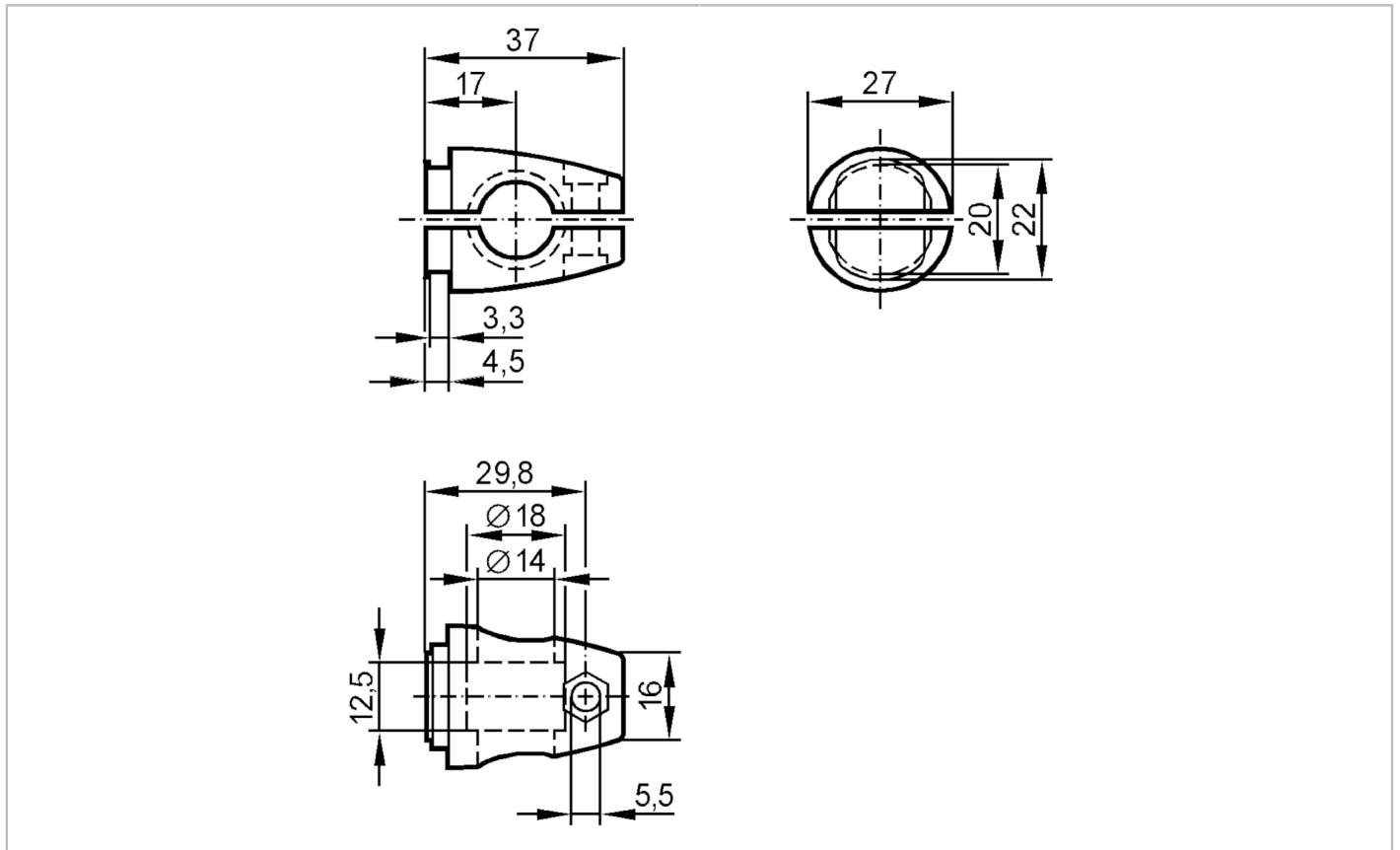


E20948



Mounting set for position sensors

SYSTEM COMPONENT CLAMP BOLT



Mechanical data	
Weight [g]	252.5
Type of mounting	free-standing; (M12)
Dimensions [mm]	M12
Thread designation	M12
Materials	Clamp: stainless steel (1.4408)
Accessories	
Accessories (supplied)	screw: 1 x M12 x 120
Remarks	
Pack quantity	1 pcs.