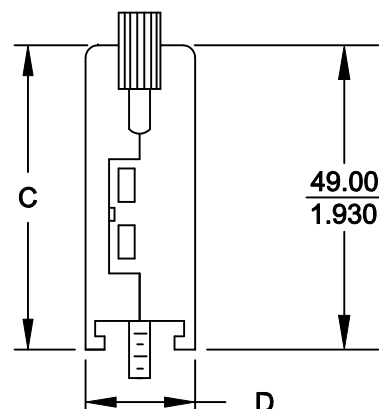
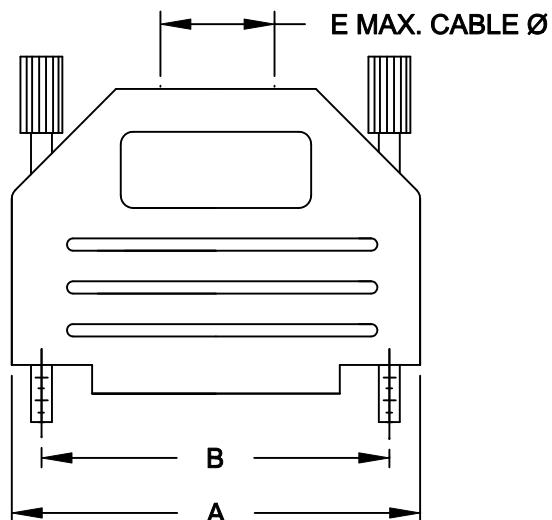


**BACKSHELL KIT INCLUDES:**

- (1) BACKSHELL
  - (2) 4-40 THUMBSCREWS
  - (1) PLASTIC STRAIN RELIEF
  - (1) METAL STRAIN RELIEF CLAMP
  - (2) STRAIN RELIEF SCREWS
- TORQUE VALUE ON PLASTIC FOR STRAIN RELIEF SCREWS = 4 INCH POUNDS MAX.

DIMENSIONS (mm/in)					
SIZE	A $\pm .38$ $\pm .015$	B $\pm .25$ $\pm .010$	C $\pm .38$ $\pm .015$	D $\pm .38$ $\pm .015$	E
9	31.50	24.99	34.00	15.00	8.00
	1.240	0.984	1.339	0.591	0.315
15	40.00	33.32	34.00	15.00	11.50
	1.575	1.312	1.339	0.591	0.453
25	53.50	47.04	40.00	15.00	11.50
	2.106	1.852	1.575	0.591	0.453
37	71.00	63.50	40.00	15.00	11.50
	2.795	2.500	1.575	0.591	0.453
50	67.50	61.11	40.00	19.00	14.00
	2.657	2.406	1.575	0.748	0.551



**ORDERING INFORMATION: (YY = COLOR)**

SIZE	P/N- KITTED:	P/N - BULK:
9-WAY	MHDPPK9-YY-K	MHDPPK9-YY
15-WAY	MHDPPK15-YY-K	MHDPPK15-YY
25-WAY	MHDPPK25-YY-K	MHDPPK25-YY
37-WAY	MHDPPK37-YY-K	MHDPPK37-YY
50-WAY	MHDPPK50-YY-K	MHDPPK50-YY

**COLOR CODE CHART:**

- BLACK = BK
- LIGHT GREY = LG
- DEC GREY = DE
- RED = R
- BLUE = B
- YELLOW = Y
- GREEN = G
- WHITE = W

MATERIAL: POLYAMIDE PA66 - UL RECOGNIZED MATERIAL  
SEE COLOR CODE CHART

THUMBSCREWS: STEEL, BLACK OXIDE (FOR BLACK HOODS)  
STEEL, Zn PLATED (FOR COLORED HOODS)

OPERATING TEMP: -55°C TO +110°C

THESE DRAWINGS AND SPECIFICATIONS ARE THE PROPERTY OF MH CONNECTORS LTD. AND SHALL NOT BE REPRODUCED, COPIED OR USED AS THE BASIS FOR THE MANUFACTURE OR SALE OF APPARATUS WITHOUT WRITTEN PERMISSION.

DRAWN	DATE
P. JENKINS	03-14-12

APPROVED	DATE
D. CROFT	03-14-12

SCALE	SHEET	OF	REV:
NTS	1	1	B

DRAWING No  
MHDPPK-SLIM SERIES

**RoHS COMPLIANT**

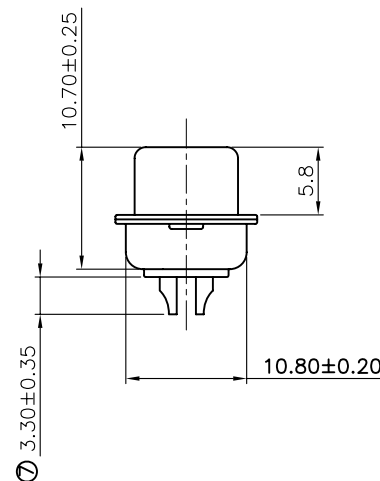
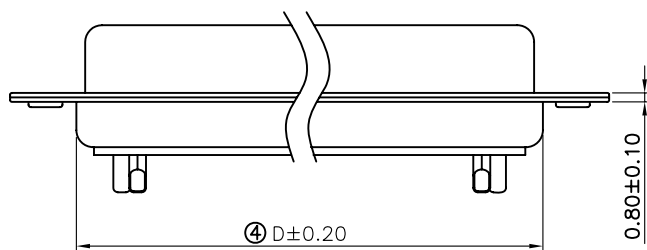
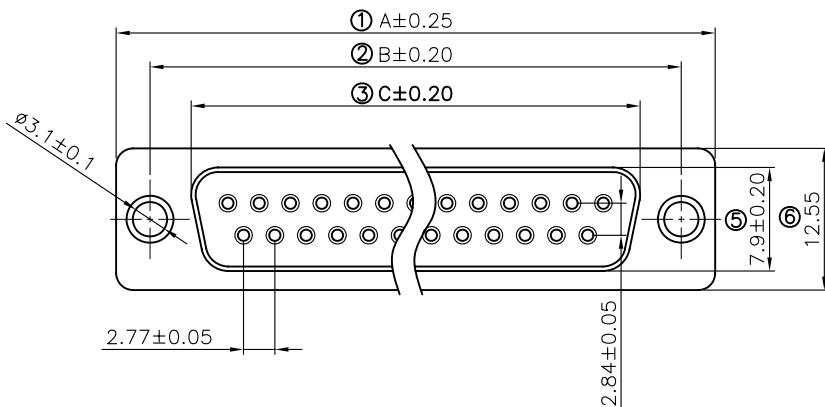


**MH CONNECTORS LTD.**

THIS IS A C.A.D. GENERATED DRAWING  
DO NOT MAKE MANUAL REVISIONS TO MASTER.



\* UNLESS OTHERWISE SPECIFIED TOLERANCES  
ON DECIMAL IS: ANGLE ± 1°  
.X ± 0.25  
.XX ± 0.15



Remark:

1.SPECIFICATION:

Rated voltage:250V  
Rates current:5AMP  
Contact resistance:20MΩ MAX  
Insulation resistance:1000MΩ MIN.at 500V DC  
Withstand voltage:500V Per minute  
Temperature range:-55 -105°C

2.MATERIAL:

Plastic:PBT+30% G.F (UL94V-0) BLACK  
Terminal:brass ,tin-gold plated  
Spcc shell:Spcc front shell is ni plated back shell is tin plated

PN	PIN	A	B	C	D
MHDB9SS	09	30.88	24.88	16.17	18.94
MHDB15SS	15	39.20	33.30	24.66	27.50
MHDB25SS	25	53.02	47.04	38.38	41.20
MHDB37SS	37	69.40	63.50	55.20	57.40

THESE DRAWINGS AND SPECIFICATIONS ARE THE PROPERTY OF MH CONNECTORS LTD. AND SHALL NOT BE REPRODUCED, COPIED OR USED AS THE BASIS FOR THE MANUFACTURE OR SALE OF APPARATUS WITHOUT WRITTEN PERMISSION.

DRAWN Johnny	DATE 07-16-12
APPROVED	DATE



THIS SERIES FULLY CONFORMS TO THE EUROPEAN UNION DIRECTIVES 2002/95/EC AND 2002/96/EC FOR RoHS COMPLIANCY.



MH CONNECTORS LTD.

SCALE 1:1	SHEET OF 1 OF 1	REV: 1
DRAWING No MHDB SS		