



Model Number

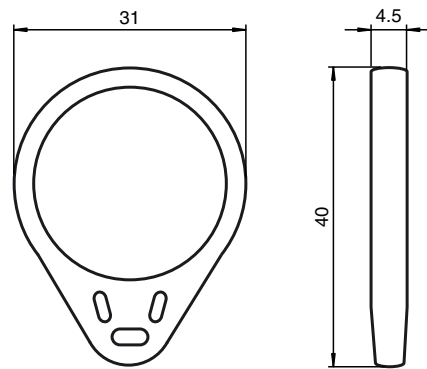
IPC03-20K1 10pcs

Data carrier

Features

- Battery-free data carrier
- 32 bit fixcode
- 928 bits memory available
- Readable and writable from both sides
- Protection degree IP67
- Key fob
- Packaging unit: 10 pieces

Dimensions



Technical data

General specifications

| | |
|---------------------|----------|
| Operating frequency | 125 kHz |
| Transfer rate | 2 kBit/s |

Memory

| | |
|-----------------------|-----------------------------------|
| Chip Type | EM4450 Titan (EM Microelectronic) |
| Type/Size | EEPROM 928 Bit ROM 32 Bit |
| Read cycles | unlimited |
| Write cycles | > 100000 |
| Data retention period | 10 years at 55 °C (131 °F) |

Ambient conditions

| | |
|---------------------|--------------------------------|
| Ambient temperature | -25 ... 70 °C (-13 ... 158 °F) |
| Storage temperature | -40 ... 90 °C (-40 ... 194 °F) |

Mechanical specifications

| | |
|-------------------|--------------------------|
| Protection degree | IP67 |
| Material | |
| Housing | PC (Polycarbonate) |
| Note | Packaging unit, 10-piece |

Compliance with standards and directives

| | |
|---------------------|----------|
| Standard conformity | |
| Protection degree | EN 60529 |

Notes

The transponder can be read and written from either side.