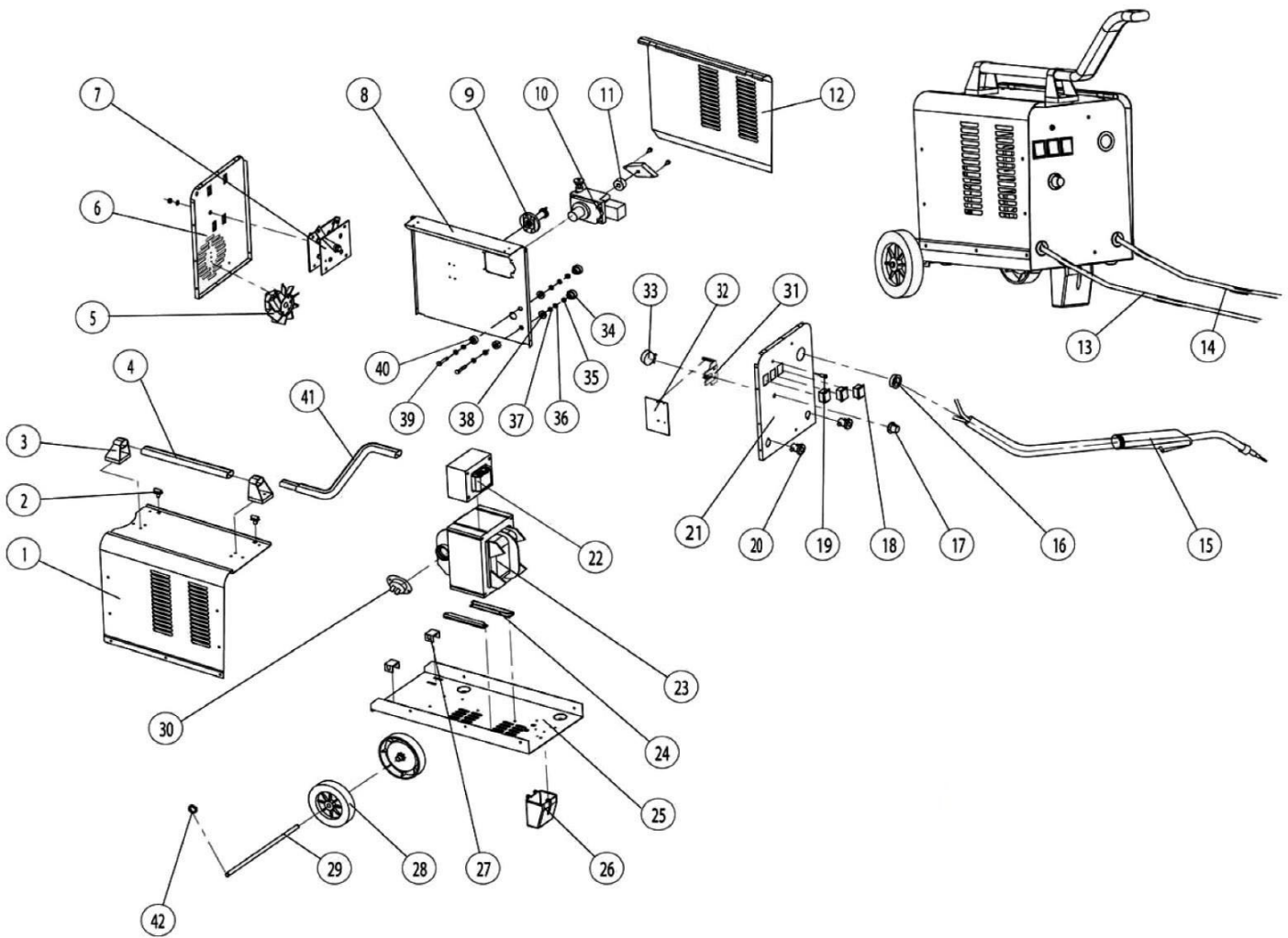




Parts Information:  
**Professional Gas/No-Gas MIG Welder**  
**150Amp 230V**  
**Model No: MIGHTYMIG150**



**NOTE:** It is our policy to continually improve products and as such we reserve the right to alter data, specifications and component parts without prior notice.

**IMPORTANT:** No liability is accepted for incorrect use of product.

**WARRANTY:** Guarantee is 12 months from purchase date, proof of which will be required for any claim.

**Sealey Group**, Kempson Way, Suffolk Business Park, Bury St Edmunds, Suffolk. IP32 7AR



01284 757500



01284 703534



sales@sealey.co.uk



www.sealey.co.uk



Parts Information:  
**Professional Gas/No-Gas MIG Welder**  
**150Amp 230V**  
**Model No: MIGHTYMIG150**

Item	Part No.	Description
1	M/MIG150.01	SIDE PANEL "B"
2	M/MIG210.09	HINGE (NUT & WASHER FITTING)
--	M/MIG210.09A	HINGE (TWO SCREW FIXING) (NOT SHOWN)
3	M/MIG150.03	HANDLE SOCKET
4	M/MIG150.04	HANDLE
5	M/MIG150.05	FAN
6	M/MIG150.06	BACK PANEL
7	M/MIG150.07	RECTIFIER
8	M/MIG150.08	MIDDLE PANEL
9	M/MIG150.09	REEL HOLDER
--	M/MIG100.24	REEL SPRING (NOT SHOWN)
--	SN6.SW	WING NUT M6 (SINGLE) (NOT SHOWN)
10	M/MIG150.10	WIRE FEED UNIT
11	M/MIG150.11	WIRE FEED ROLLER
12	M/MIG150.12	SIDE PANEL "A"
13	MC3CX1.5	MAINS CABLE BLK, 3 CORE, 1.5MM2
14	M/MIG150.14	EARTH CABLE WITH CLAMP (L:2m D:8mm)
15	M/MIG150.15	MIG TORCH
16	M/MIG150.16	COVER
17	M/MIG250.20	SPEED CONTROL KNOB
18	M/MIG150.18	SWITCH
19	M/MIG150.19	OVERLOAD INDICATOR
20	M/MIG170.63	CABLE TIP
21	M/MIG150.21	FRONT PANEL
22	M/MIG150.22	FILTER REACTOR
23	M/MIG150.23	MAIN TRANSFORMER
24	M/MIG150.24	TRANSFORMER BRACKET
25	M/MIG150.25	BOTTOM PLATE
26	M/MIG150.26	FOOT
27	M/MIG150.27	AXLE BRACKET

Item	Part No.	Description
28	M/MIG150.28	WHEEL,PLASTIC FIXED (127x10x26)
29	M/MIG150.29	AXLE
30	M/MIG150.30	TEMPERATURE CONTROL
31	M/MIG150.31	CONTROL CIRCUIT BOARD BRACKET
32	M/MIG150.32	CONTROL CIRCUIT BOARD
33	M/MIG150.33	POTENTIOMETER
34	M/MIG150.34	KNOB
35	M/MIG150.35	NUT M6 BRASS
36	SWM6.SB	SPRING WASHER M6 BLACK(SINGLE)
37	RW619.S	REPAIR WASHER M6x19 (SINGLE)
38	M/MIG150.38	INSULATING WASHER
39	M/MIG150.39	SCREW M6 X 35
40	M/MIG150.40	INSULATING WASHER
41	M/MIG150.41	HANDLE EXTENSION
42	M/MIG150.42	8mm E-CLIP
--	TG100/1	FLUX CORED MIG WIRE 0.9kg 0.9mm A5.20 E7 (NOT SHOWN)
--	TG100/2	CONTACT TIP 1mm Pack of 5 (NOT SHOWN)
--	DAS150TV3-36	RD HEAD S/T SCREW M4X12 BLACK (NOT SHOWN)
--	DAS150TV3-42	RD HEAD S/T SCREW M4X20 (NOT SHOWN)
--	M/MIG100.07	ON/OFF SWITCH (NOT SHOWN)
--	M/MIG150.43	GUIDE HOSE FOR LINER (NOT SHOWN)
--	MIG/GH	HOSE, GAS PER METRE (5mm ID BLACK NYLON (NOT SHOWN)
--	SMIG180.V3-43	GAS HOSE 6mm x 8mm x 1040mm (NOT SHOWN)
--	M/MIG250.66	VALVE ASSEMBLY (NOT SHOWN)
--	SMIG130.08	BELT (NOT SHOWN)
--	M/MIG150.STR	TANK STRAP (NOT SHOWN)

**NOTE:** It is our policy to continually improve products and as such we reserve the right to alter data, specifications and component parts without prior notice.

**IMPORTANT:** No liability is accepted for incorrect use of product.

**WARRANTY:** Guarantee is 12 months from purchase date, proof of which will be required for any claim.

**Sealey Group**, Kempson Way, Suffolk Business Park, Bury St Edmunds, Suffolk. IP32 7AR



01284 757500



01284 703534



sales@sealey.co.uk



www.sealey.co.uk