

Product information

92 01 06

Universal Tweezers



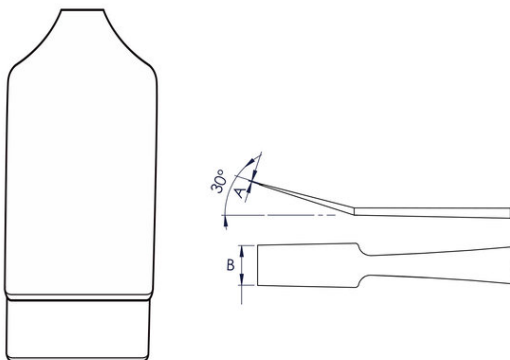
- Universal Tweezers are suitable for demanding standard applications and precision tasks
- Wide range of designs: straight, angled, gripping surfaces and handles smooth or serrated, with needle points, narrow or blunt tips, as well as different lengths
- For the electronics industry, watchmakers and jewellers
- High quality stainless steel: extremely tough and very good corrosion resistance against a variety of atmospheric environments and many corrosive materials
- Premium stainless steel

General

Article No.	92 01 06
Reference number	36A.SA.1
EAN	4003773086765
Material	premium stainless steel
Gripping surfaces	smooth gripping surfaces
Weight	15 g
Dimensions	120 x 10 x 18 mm
REACH compliant	does not contain SVHC
RoHS compliant	not applicable

Technical details

Surface	matt finish
Finish	angled 30°
Tips width (A)	0.17 mm
Tips width (B)	6 mm
Tweezers tip version	blunt
Corrosion-resistant	yes
ESD-tested	no
VDE tested	no
Sectors	Industry electronics
Magnetic	non-magnetisable (80%)



technical change and errors excepted