

VOGUE

Stainless Steel Mop Sink Assembly Instructions

GL281 Mop Sink: 450(H) x 500(W) x 500(D) mm








Safety Tips

Whilst all care has been taken to remove sharp edges, care must be taken when cleaning or handling to prevent risk of injury from exposed metal edges.

DO NOT overload the sink top or shelf causing it to bend.

Part List

	x1		x1		x1
	x4		x8		

UK	+44 (0)845 146 2887	Fourth Way, Avonmouth, Bristol, BS11 8TB United Kingdom
Eire		42 North Point Business Park, New Mallow Road, Cork, Ireland
NL	040 - 2628080	
FR	01 60 34 28 80	

BE-NL	0800-29129
BE-FR	0800-29229
DE	0800 - 1860806
IT	N/A
ES	901-100 133
PT	vendas@nisbets.pt

Assembly

NOTE: Be sure to check all packaging materials for any small parts that may have come loose during transportation.

1. Remove all protective film, taking care to avoid scratching the surface.
2. Place the shelf on its side on the floor.
3. Insert the leg into the sockets situated at each corner of the sink **[Fig.1, Fig 2]**.
4. Use grub screws to loosely fix the shelf to the legs, and then stand upright. **[Fig.3]**. Ensure the legs are level before tightening the grub screws.
5. Fix the grid top in place. **[Fig. 3]** Ensure the sink top is both level and securely fixed.

NOTE: Adjust the feet if necessary to level the table.

Before using for the first time VOGUE recommend the table is cleaned thoroughly with a suitable cleaning agent. Remove all cleaning residues and dry thoroughly.

Fig.1



Fig.2

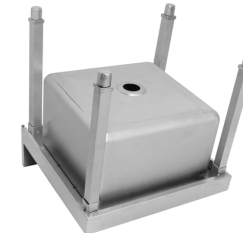


Fig.3



Cleaning

- Clean the sink regularly using a cleaning agent suitable for use with stainless steel and galvanized surfaces.
- Always remove cleaning agents residues, this can discolour the surface.
- Never leave any surface damp as this may cause discoloration.

All rights reserved. No part of these instructions may be produced or transmitted in any form or by any means, electronic, mechanical, photocopying, recording or otherwise, without the prior written permission of VOGUE. Every effort is made to ensure all details are correct at the time of going to press, however, VOGUE reserve the right to change specifications without notice.