

Patch panels - PP-RJ-IDC



2703019

<https://www.phoenixcontact.com/pc/products/2703019>

Please be informed that the data shown in this PDF document is generated from our Online Catalog. Please find the complete data in the user documentation. Our General Terms of Use for Downloads are valid.



Patch panel, RJ45 jack on IDC terminal blocks, 10/100/1000 Mbps, DIN rail adapter, IP20, shield contacting with strain relief

Product Description

Ethernet patch panels enable quick and easy connection between the field cabling and control cabinet cabling. The passive termination panels are a convenient alternative to the on-site assembly of RJ45 connectors. The IDC fast connection terminal blocks enable tool-free connection without stripping the single-core wires. The terminal blocks with inserted wires are simply pressed shut by hand. Observe the permissible single-core wire diameter and the permissible insulation material.

Your advantages

- Extended temperature range of -40 °C ... +75 °C
- Fast connection of the field cable
- Wiring space covered with front panel cover
- Tool-free shield contacting with strain relief
- Shipbuilding approval in accordance with DNV GL
- PoE-capable in accordance with IEEE 802.3bt, type 4

Commercial Data

Item number	2703019
Packing unit	1 pc
Minimum order quantity	1 pc
Product Key	DNC334
Catalog Page	Page 361 (C-6-2019)
GTIN	4055626462899
Weight per Piece (including packing)	101.6 g
Weight per Piece (excluding packing)	101.6 g
Customs tariff number	85369010
Country of origin	DE

Technical Data

Notes

Utilization restriction

CCCex note	Use in potentially explosive areas is not permitted in China.
------------	---

Product properties

Product type	Patch panel
MTTF	105699 Years

Insulation characteristics

Overvoltage category	II
Pollution degree	2

Electrical properties

Rated insulation voltage	85 V DC
--------------------------	---------

Interfaces

Data: Ethernet interface, 10/100/1000Base-T(X) in accordance with IEEE 802.3

Serial transmission speed	10/100/1000 Mbps
Frequency range	250 MHz
Connection method	IDC connection
Pin assignment	1:1
Transmission length	100 m (including patch cables)
Conductor cross section flexible max.	0.34 mm ²
Conductor cross section flexible min.	0.14 mm ²
Conductor cross section solid max.	0.34 mm ²
Conductor cross section solid min.	0.14 mm ²
Max. AWG conductor cross section, flexible	22
Min. AWG conductor cross section, flexible	26
Single-wire/terminal point, solid AWG max.	22
Single-wire/terminal point, solid AWG min.	26
Wire diameter incl. insulation	1.6 mm (Terminal block is tested with PVC insulation - other insulation materials available on request)
Frequency of connections between conductors of the same cross section	10
Output nominal voltage	< 60 V (ATEX approval) < 57 V DC (in acc. with UL)
Maximum output power	60 W
Maximum output current	725 mA (Per channel)

Data: Ethernet interface, 10/100/1000Base-T(X) in accordance with IEEE 802.3

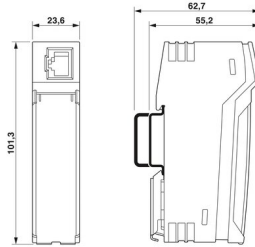
Connection method	RJ45 jack
-------------------	-----------

Patch panels - PP-RJ-IDC

2703019

<https://www.phoenixcontact.com/pc/products/2703019>

Dimensions

Dimensional drawing	
Width	23.8 mm
Height	101.3 mm
Depth	50 mm

Material specifications

Color	gray
Material	Plastic (Housing)
Flammability rating according to UL 94	V0

Cable / line

External cable diameter	5.5 mm ... 6.5 mm
-------------------------	-------------------

Environmental and real-life conditions

Ambient conditions

Degree of protection	IP20 (Manufacturer's declaration)
Ambient temperature (operation)	-40 °C ... 75 °C
Ambient temperature (storage/transport)	-40 °C ... 85 °C
Altitude	≤ 5000 m (For restrictions, see the manufacturer's declaration for altitude operation) ≤ 2000 m (Restrictions for ATEX applications)
Permissible humidity (operation)	10 % ... 95 % (non-condensing)

Approval data

CE

Certificate	CE-compliant
-------------	--------------

ATEX

Identification	<input type="checkbox"/> II 3 G Ex nA IIC Gc U
Note	Please follow the special installation instructions in the documentation!

UL, USA

Certificate	UL 60079-0 Ed. 6 / UL 60079-15 Ed. 4
-------------	--------------------------------------

UL, Canada

Patch panels - PP-RJ-IDC



2703019

<https://www.phoenixcontact.com/pc/products/2703019>

Certificate	CSA 22.2 No. 60079-0 Ed. 3 / CSA 22.2 No. 60079-15:16
-------------	---

Corrosive gas test

Identification	ISA-S71.04-1985 G3 Harsh Group A
----------------	----------------------------------

Shipbuilding

Identification	DNV GL
----------------	--------

DNV GL data

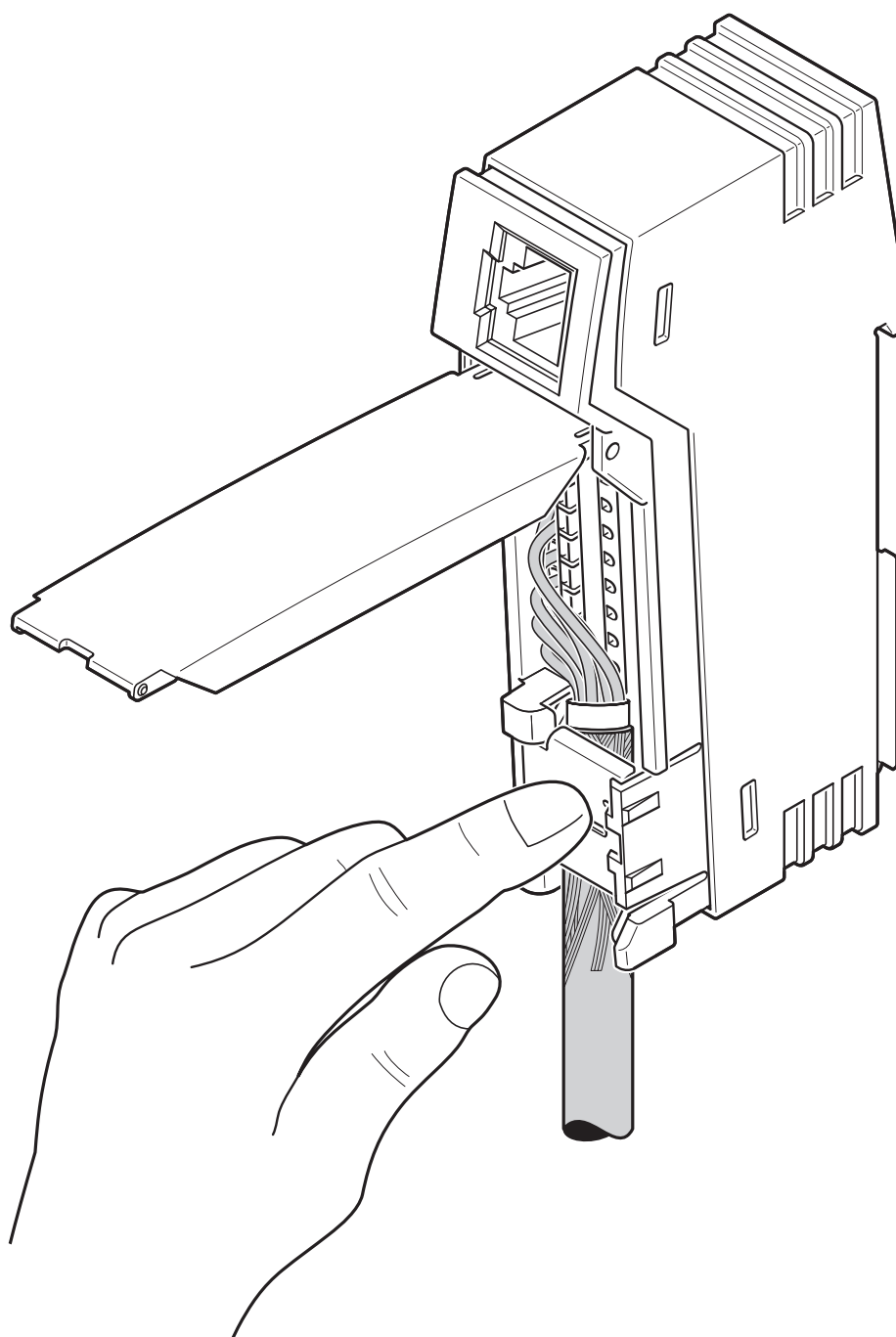
Temperature	D
Humidity	B
Vibration	B
EMC	B

Mounting

Mounting type	DIN rail mounting, stationary
---------------	-------------------------------

Drawings

Schematic diagram



Close shield contact spring

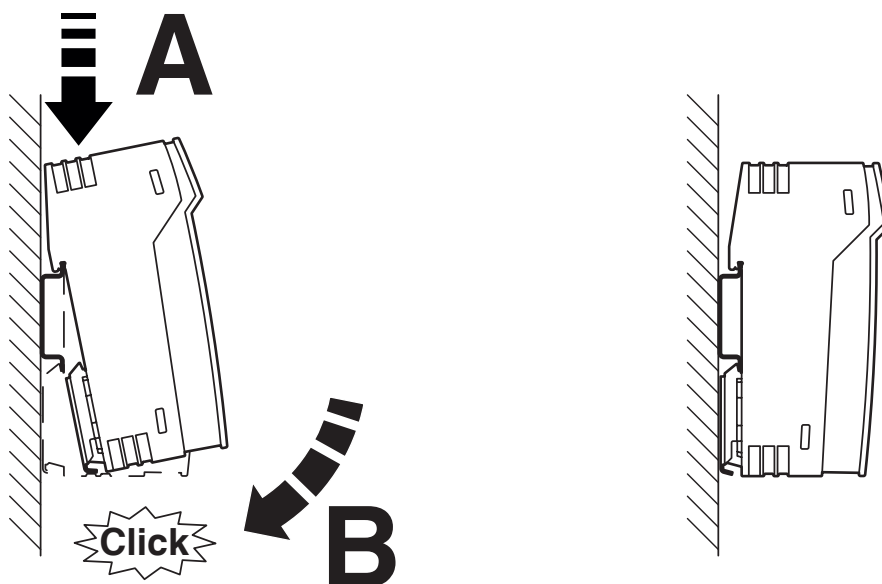
Patch panels - PP-RJ-IDC

2703019

<https://www.phoenixcontact.com/pc/products/2703019>



Schematic diagram



Mounting on a DIN rail

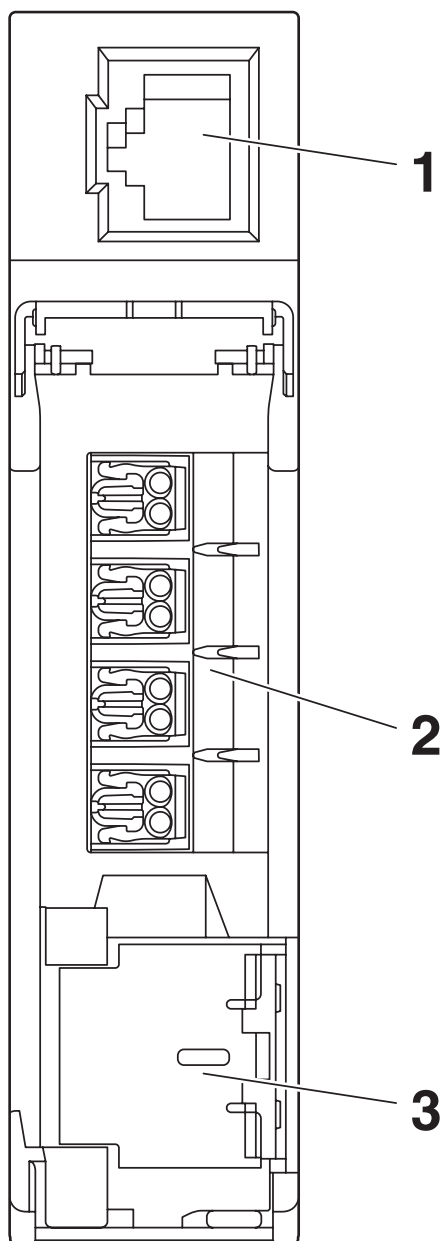
Patch panels - PP-RJ-IDC

2703019

<https://www.phoenixcontact.com/pc/products/2703019>



Schematic diagram



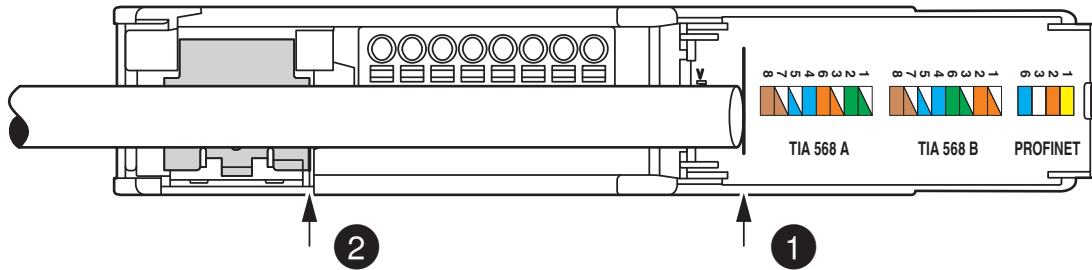
Front view

Patch panels - PP-RJ-IDC

2703019

<https://www.phoenixcontact.com/pc/products/2703019>

Schematic diagram



Stripping length

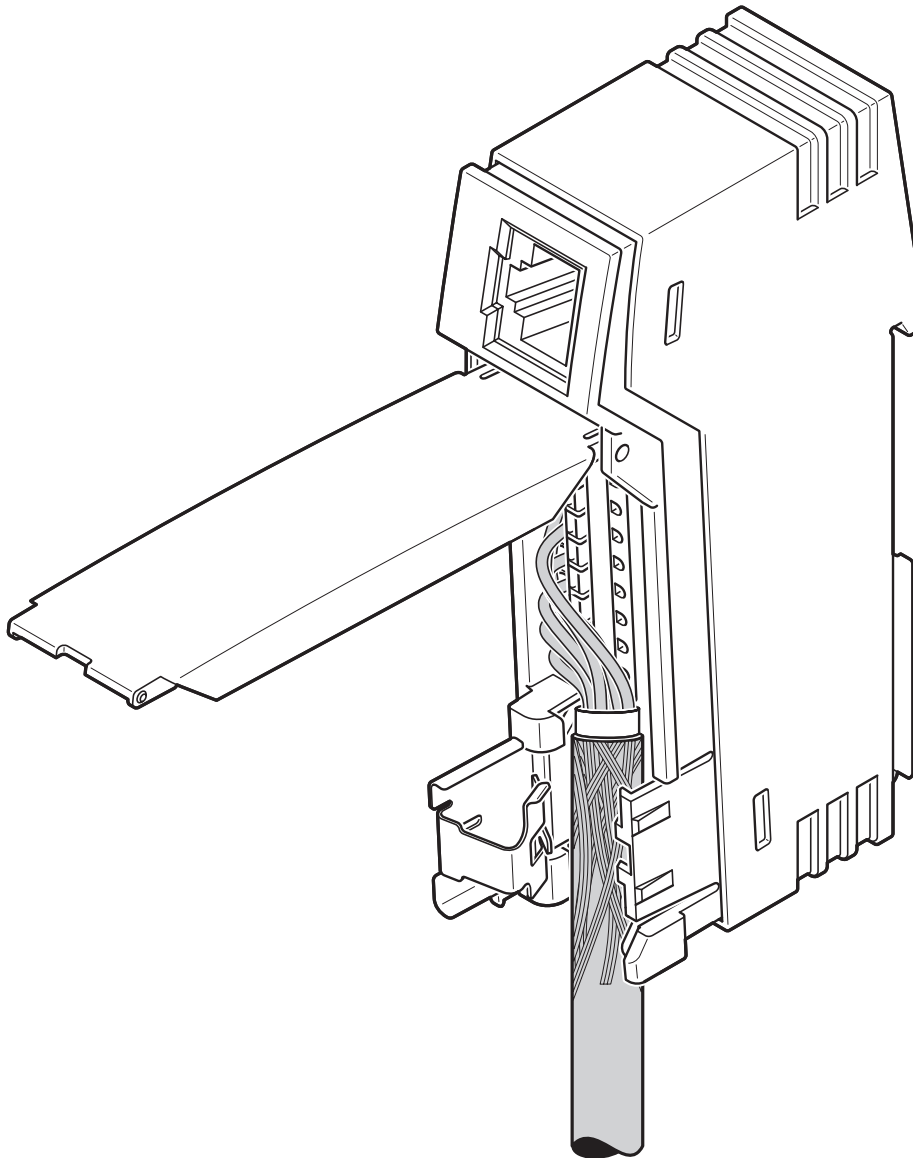
Patch panels - PP-RJ-IDC

2703019

<https://www.phoenixcontact.com/pc/products/2703019>



Schematic diagram



Inserting the cable

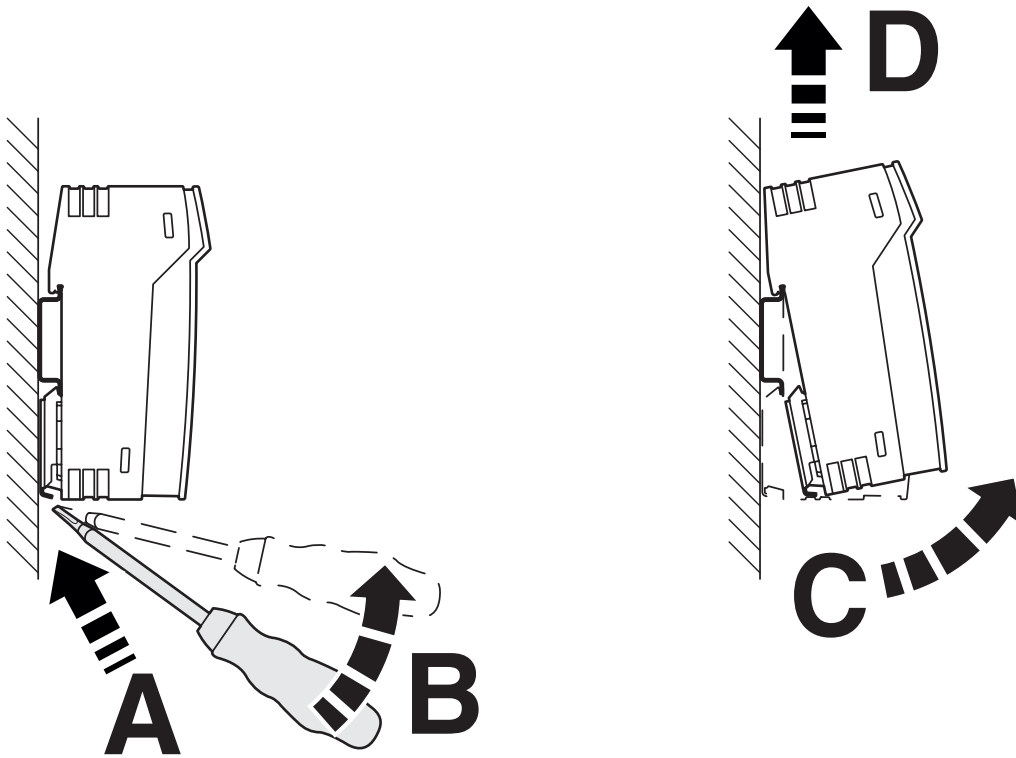
Patch panels - PP-RJ-IDC

2703019

<https://www.phoenixcontact.com/pc/products/2703019>



Schematic diagram



Removal

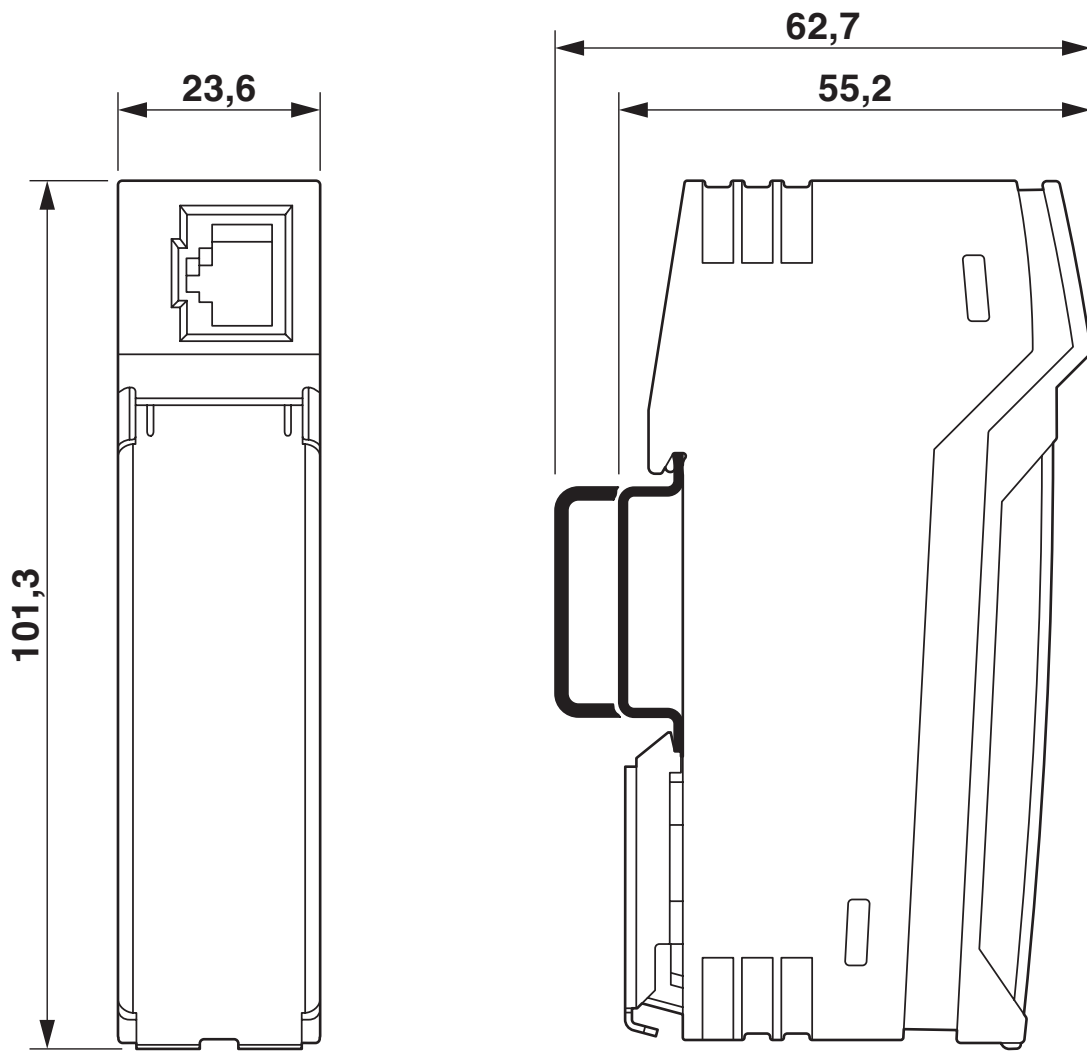
Patch panels - PP-RJ-IDC

2703019

<https://www.phoenixcontact.com/pc/products/2703019>



Dimensional drawing



Compact housing

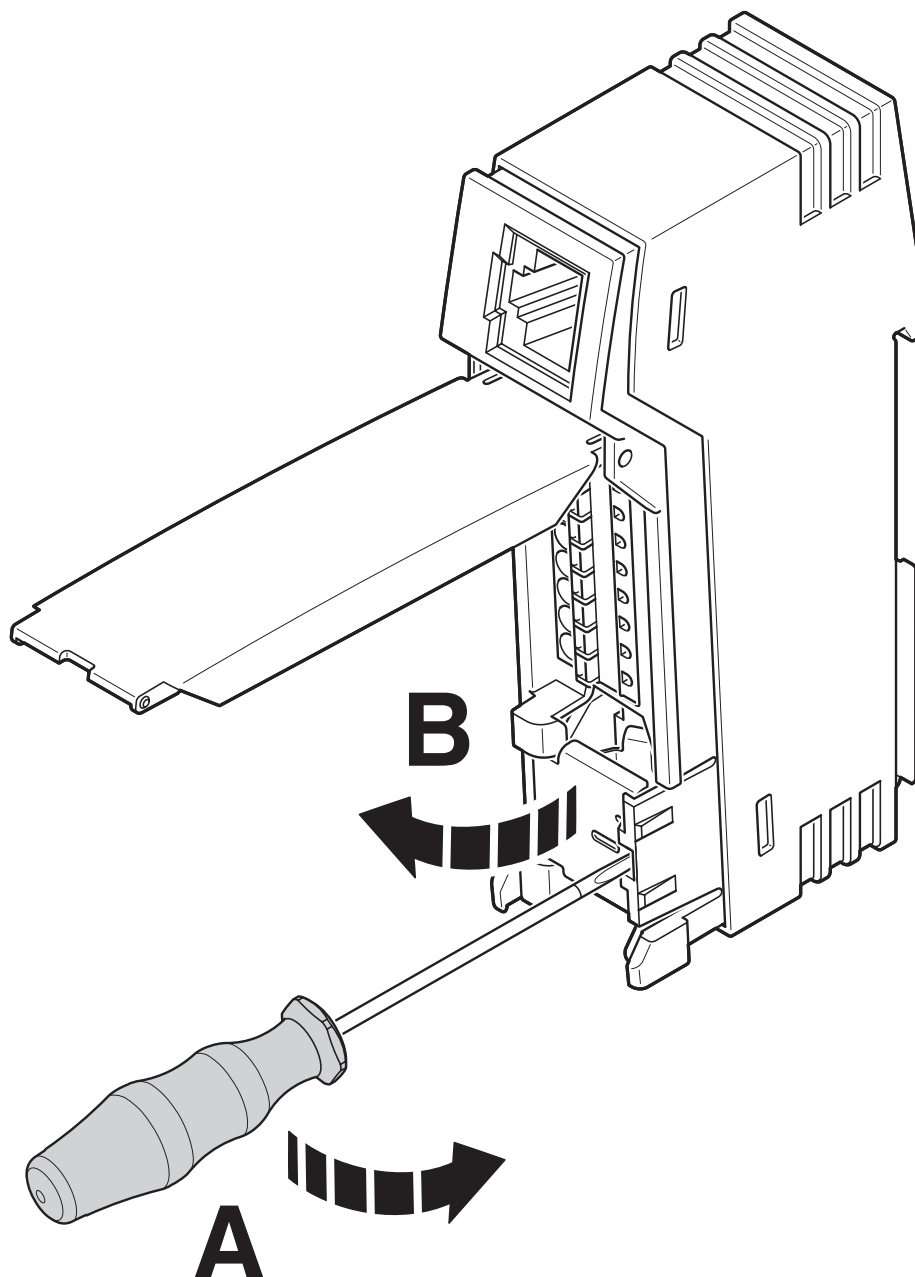
Patch panels - PP-RJ-IDC

2703019

<https://www.phoenixcontact.com/pc/products/2703019>



Schematic diagram



Open shield contact spring

Patch panels - PP-RJ-IDC





2703019


<https://www.phoenixcontact.com/pc/products/2703019>


Approvals

 DNV GL Approval ID: TAA00001KR				
	Nominal Voltage U_N	Nominal Current I_N	Cross Section AWG	Cross Section mm^2
			-	-

 **UL Listed**
Approval ID: FILE E 238705

 **cUL Listed**
Approval ID: FILE E 238705

 **ATEX**
Approval ID: PxCIF18ATEX2703015U

 **cUL Listed**
Approval ID: FILE E 366272

 **UL Listed**
Approval ID: FILE E 366272

cULus Listed

cULus Listed

Patch panels - PP-RJ-IDC

2703019

<https://www.phoenixcontact.com/pc/products/2703019>



Classifications

ECLASS

ECLASS-9.0	19170112
ECLASS-10.0.1	19170112
ECLASS-11.0	19170112

ETIM

ETIM 8.0	EC002697
----------	----------

UNSPSC

UNSPSC 21.0	43223300
-------------	----------

Patch panels - PP-RJ-IDC

2703019

<https://www.phoenixcontact.com/pc/products/2703019>



Environmental Product Compliance

China RoHS	Environmentally friendly use period: unlimited = EFUP-e
	No hazardous substances above threshold values

Patch panels - PP-RJ-IDC

2703019

<https://www.phoenixcontact.com/pc/products/2703019>



Accessories

Patch panels

Patch panels - PP-RJ-RJ-F - 2703020

<https://www.phoenixcontact.com/pc/products/2703020>



Patch panel, two RJ45 jacks, 10/100/1000 Mbps, DIN rail adapter, IP20, shield current monitoring, surge protection

Patch panels

Patch panels - PP-RJ-SC-F - 2703021

<https://www.phoenixcontact.com/pc/products/2703021>



Patch panel, RJ45 jack on screw terminal blocks, 10/100/1000 Mbps, DIN rail adapter, IP20, shield contacting with strain relief, shield current monitoring, surge protection

Patch panels - PP-RJ-IDC

2703019

<https://www.phoenixcontact.com/pc/products/2703019>



Patch panels

Patch panels - PP-RJ-SCC-F - 2703022

<https://www.phoenixcontact.com/pc/products/2703022>



Patch panel, RJ45 jack on Push-in terminal blocks, 10/100/1000 Mbps, DIN rail adapter, IP20, shield contacting with strain relief, shield current monitoring, surge protection

Patch panels

Patch panels - PP-RJ-IDC-F - 2703023

<https://www.phoenixcontact.com/pc/products/2703023>



Patch panel, RJ45 jack on IDC terminal blocks, 10/100/1000 Mbps, DIN rail adapter, IP20, shield contacting with strain relief, shield current monitoring, surge protection

Patch panels - PP-RJ-IDC

2703019

<https://www.phoenixcontact.com/pc/products/2703019>



Assembly tool

Assembly tool - FL CRIMPTOOL - 2744869

<https://www.phoenixcontact.com/pc/products/2744869>

Crimping pliers, for assembling the RJ45 plugs FL PLUG RJ45..., for assembly on site



Network isolator

Network isolator - FL ISOLATOR 100-RJ/SC - 2313928

<https://www.phoenixcontact.com/pc/products/2313928>

Passive network isolator for electrical isolation in Ethernet networks. This protects Ethernet devices from potential differences of up to 4 kV. Can be used for transmission speeds of up to 100 Mbps. Connection using RJ45 and COMBICON plug-in screw terminal block.



Patch panels - PP-RJ-IDC

2703019

<https://www.phoenixcontact.com/pc/products/2703019>



Network isolator

Network isolator - FL ISOLATOR 100-RJ/RJ - 2313931

<https://www.phoenixcontact.com/pc/products/2313931>



Passive network isolator for electrical isolation in Ethernet networks. This protects Ethernet devices from potential differences of up to 4 kV. Can be used for transmission speeds of up to 100 Mbps. Possible to connect two RJ45 plugs.

Network isolator

Network isolator - FL ISOLATOR 1000-RJ/RJ - 2313915

<https://www.phoenixcontact.com/pc/products/2313915>



Passive network isolator for electrical isolation in Ethernet networks. This protects Ethernet devices from potential differences of up to 4 kV. Can be used for transmission speeds of up to 1 Gbps. Possible to connect two RJ45 plugs.

Patch panels - PP-RJ-IDC

2703019

<https://www.phoenixcontact.com/pc/products/2703019>



Network isolator

Network isolator - FL ISOLATOR 100-M12 - 2902985

<https://www.phoenixcontact.com/pc/products/2902985>

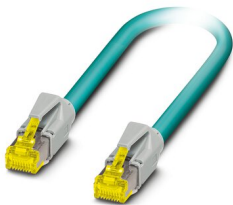


Passive network isolator for electrical isolation in Ethernet networks. For the protection of Ethernet devices against potential differences of up to 4 kV. Can be used for transmission speeds of up to 100 Mbps. Ethernet connection via two M12 sockets (D-coded).

Patch cable

Patch cable - NBC-R4AC-R4AC-IE8A/.../... - 1411854

<https://www.phoenixcontact.com/pc/products/1411854>



Patch cable, degree of protection: IP20, number of positions: 8, 10 Gbps, CAT6_A, cable outlet: straight, Ethernet

Patch panels - PP-RJ-IDC

2703019

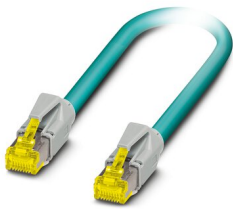
<https://www.phoenixcontact.com/pc/products/2703019>



Patch cable

Patch cable - NBC-R4AC/10G-R4AC/10G-94F/2,0 - 1408360

<https://www.phoenixcontact.com/pc/products/1408360>

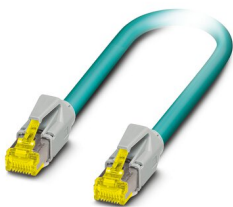


Patch cable, CAT6_A, 4-pair, shielded, connection not crossed (line), assembled at both ends with RJ45/IP20 connectors, outer sheath material: PUR, length: 2.0 m

Patch cable

Patch cable - NBC-R4AC/10G-R4AC/10G-94F/3,0 - 1408365

<https://www.phoenixcontact.com/pc/products/1408365>



Patch cable, CAT6_A, 4-pair, shielded, connection not crossed (line), assembled at both ends with RJ45/IP20 connectors, outer sheath material: PUR, length: 3.0 m

Patch panels - PP-RJ-IDC

2703019

<https://www.phoenixcontact.com/pc/products/2703019>



Patch cable

Patch cable - NBC-R4AC/1,0-93B/R4AC - 1408968

<https://www.phoenixcontact.com/pc/products/1408968>



Patch cable, degree of protection: IP20, cable length: 1 m, number of positions: 4, 100 Mbps, CAT5, material: PA 6.6, PROFINET

Patch cable

Patch cable - NBC-R4AC/2,0-93B/R4AC - 1408969

<https://www.phoenixcontact.com/pc/products/1408969>



Patch cable, degree of protection: IP20, cable length: 2 m, number of positions: 4, 100 Mbps, CAT5, material: PA 6.6, PROFINET

Patch panels - PP-RJ-IDC

2703019

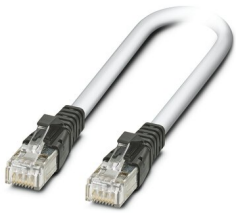
<https://www.phoenixcontact.com/pc/products/2703019>



Patch cable

Patch cable - FL CAT5 PATCH 0,3 - 2832250

<https://www.phoenixcontact.com/pc/products/2832250>



Patch cable, CAT5, assembled, 0.3 m

Patch cable

Patch cable - FL CAT5 PATCH 0,5 - 2832263

<https://www.phoenixcontact.com/pc/products/2832263>



Patch cable, CAT5, assembled, 0.5 m

Patch panels - PP-RJ-IDC

2703019

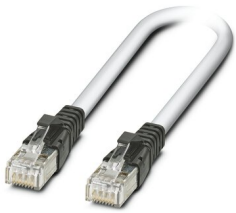
<https://www.phoenixcontact.com/pc/products/2703019>



Patch cable

Patch cable - FL CAT5 PATCH 1,0 - 2832276

<https://www.phoenixcontact.com/pc/products/2832276>



Patch cable, CAT5, assembled, 1 m

Patch cable

Patch cable - FL CAT5 PATCH 1,5 - 2832221

<https://www.phoenixcontact.com/pc/products/2832221>



Patch cable, CAT5, assembled, 1.5 m

Patch panels - PP-RJ-IDC

2703019

<https://www.phoenixcontact.com/pc/products/2703019>



Patch cable

Patch cable - FL CAT5 PATCH 2,0 - 2832289

<https://www.phoenixcontact.com/pc/products/2832289>



Patch cable, CAT5, assembled, 2 m

Patch cable

Patch cable - FL CAT5 PATCH 3,0 - 2832292

<https://www.phoenixcontact.com/pc/products/2832292>



Patch cable, CAT5, assembled, 3 m

Patch panels - PP-RJ-IDC

2703019

<https://www.phoenixcontact.com/pc/products/2703019>



RJ45 connector

RJ45 connector - VS-08-RJ45-10G/Q - 1419001

<https://www.phoenixcontact.com/pc/products/1419001>



RJ45 connector, IP20, CAT6_A, 8-pos., with QUICKON fast connection technology, for 26 ... 24 AWG 1-wire and 7-wire conductors, color: black

RJ45 connector

RJ45 connector - VS-PN-RJ45-5-Q/IP20 - 1658435

<https://www.phoenixcontact.com/pc/products/1658435>



RJ45 connector, type: RJ45, degree of protection: IP20, number of positions: 4, 100 Mbps, CAT5 (IEC 11801:2002), material: PA, connection method: IDC fast connection, cable outlet: straight, color: traffic grey A RAL 7042, PROFINET

Patch panels - PP-RJ-IDC

2703019

<https://www.phoenixcontact.com/pc/products/2703019>



Stripping tool

Stripping tool - VS-CABLE-STRIP-VARIO - 1657407

<https://www.phoenixcontact.com/pc/products/1657407>

Stripping tool, for the multi-level stripping of shielded cables



RJ45 connector

RJ45 connector - VS-08-RJ45-5-Q/IP20 - 1656725

<https://www.phoenixcontact.com/pc/products/1656725>



RJ45 connector, degree of protection: IP20, number of positions: 8, 1 Gbps, CAT5 (IEC 11801:2002), material: PA, connection method: IDC fast connection, connection cross section: AWG 26- 23, cable outlet: straight, color: traffic grey A RAL 7042, Ethernet

Patch panels - PP-RJ-IDC

2703019

<https://www.phoenixcontact.com/pc/products/2703019>



RJ45 connector

RJ45 connector - VS-08-RJ45-5-Q/IP20 BK - 1658008

<https://www.phoenixcontact.com/pc/products/1658008>



RJ45 connector, type: RJ45, degree of protection: IP20, number of positions: 8, 1 Gbps, CAT5 (IEC 11801:2002), material: PA, connection method: IDC fast connection, connection cross section: AWG 26- 23, cable outlet: straight, color: black, Ethernet

Screwdriver

Screwdriver - SZF 0-0,4X2,5 - 1204504

<https://www.phoenixcontact.com/pc/products/1204504>



Actuation tool, for ST terminal blocks, also suitable for use as a bladed screwdriver, size: 0.4 x 2.5 x 75 mm, 2-component grip, with non-slip grip

Patch panels - PP-RJ-IDC

2703019

<https://www.phoenixcontact.com/pc/products/2703019>



Diagonal cutter

Diagonal cutter - MICROFOX-SP - 1212488

<https://www.phoenixcontact.com/pc/products/1212488>



Electronic diagonal cutter, tapered head, angled (21°), without chamfer, with opening spring

Network cable

Network cable - VS-OE-OE-94F/... - 1417359

<https://www.phoenixcontact.com/pc/products/1417359>



Network cable, Ethernet CAT6_A (10 Gbps), 8-position halogen-free, shielded, free cable end, on free cable end, cable length: Free entry (0.5 ... 400 m)

Patch panels - PP-RJ-IDC

2703019

<https://www.phoenixcontact.com/pc/products/2703019>



Patch panels

Patch panels - FL-PP-RJ45-SC - 2901643

<https://www.phoenixcontact.com/pc/products/2901643>



Patch panel, one RJ45 jack to 8 screw connection terminal blocks (1:1 assignment), CAT5e, 10/100/1000 Mbps, DIN rail adapter, IP20, option of shield contacting to the DIN rail via jumpers

Patch panels

Patch panels - FL-PP-RJ45-LSA - 2901645

<https://www.phoenixcontact.com/pc/products/2901645>



Patch panel, one RJ45 jack to 8 LSA connection terminal blocks (1:1 assignment), CAT5e, 10/100/1000 Mbps, DIN rail adapter, IP20, option of shield contacting to the DIN rail via bridges

Patch panels - PP-RJ-IDC

2703019

<https://www.phoenixcontact.com/pc/products/2703019>



Patch panels

Patch panels - FL-PP-RJ45/RJ45 - 2901646

<https://www.phoenixcontact.com/pc/products/2901646>



Patch panel, two RJ45 jacks (1:1 assignment), CAT5e, 10/100/1000 Mbps, DIN rail adapter, IP20, option of shield contacting to the DIN rail via jumpers

Phoenix Contact 2022 © - all rights reserved

<https://www.phoenixcontact.com>

PHOENIX CONTACT GmbH & Co. KG

Flachsmarktstraße 8

D-32825 Blomberg

+49 (0) 5235-3 00

info@phoenixcontact.com