

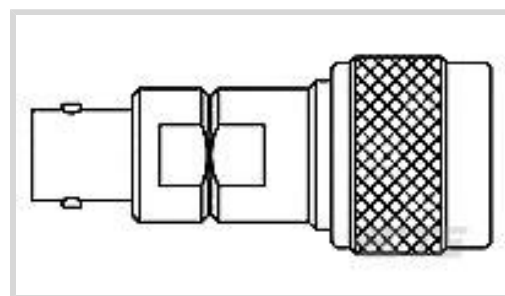


TE Internal #: 1057390-1

Between Series Adapters, Side A Interface OSN, Side A Gender Plug, Side B Interface BNC, Side B Gender Jack, Wire-to-Wire, 1 Position, Wire & Cable

[View on TE.com >](#)

Connectors > RF Coax Connectors > RF Adapters > Between Series Adapters



Side A Interface: **OSN**

Side A Gender: **Plug**

Side B Interface: **BNC**

Side B Gender: **Jack**

Connector System: **Wire-to-Wire**

## Features

### Product Type Features

Side A Interface	OSN
Side A Gender	Plug
Side B Interface	BNC
Side B Gender	Jack
Connector System	Wire-to-Wire
Sealable	No
Connector & Contact Terminates To	Wire & Cable

### Configuration Features

Number of Positions	1
---------------------	---

### Body Features

Body Material	Stainless Steel
Body Style	Straight
Material	Brass (BNC)

### Contact Features

RF Connector Center Contact Plating Material	Gold
RF Connector Center Contact Material	Brass

### Mechanical Attachment

Coupling Nut Material	Stainless Steel
-----------------------	-----------------



Connector Mounting Type

Bulkhead

**Operation/Application**

Circuit Application

Power & Signal

**Other**

Gasket Material

Silicone Rubber

Dielectric Material

PTFE Fluorocarbon

**Product Compliance**

[For compliance documentation, visit the product page on TE.com>](#)

EU RoHS Directive 2011/65/EU

Compliant with Exemptions

EU ELV Directive 2000/53/EC

Compliant with Exemptions

China RoHS 2 Directive MIIT Order No 32, 2016

Restricted Materials Above Threshold

EU REACH Regulation (EC) No. 1907/2006

Current ECHA Candidate List: JAN 2021 (211)  
 Candidate List Declared Against: JAN 2021 (211)  
 SVHC > Threshold:  
 Pb (3.7% in Component Part)  
**Article Safe Usage Statements:**  
 Do not eat, drink or smoke when using this product. Wash thoroughly after handling. Recycle if possible and dispose of the article by following all applicable governmental regulations relevant to your geographic location.

Halogen Content

Low Bromine/Chlorine - Br and Cl < 900 ppm per homogenous material. Also BFR /CFR/PVC Free

Solder Process Capability

Not applicable for solder process capability

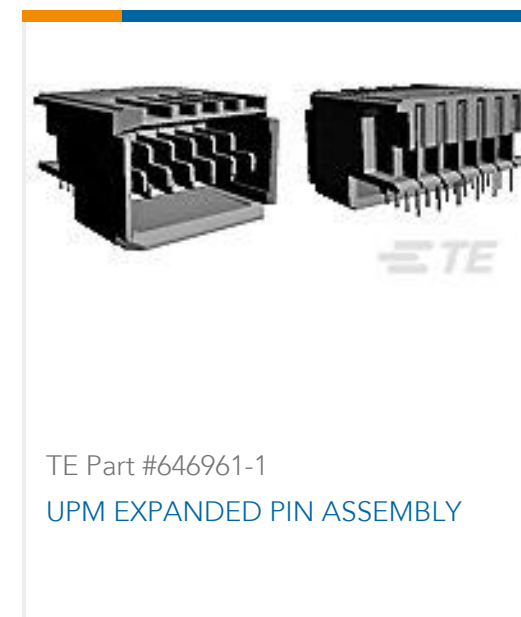
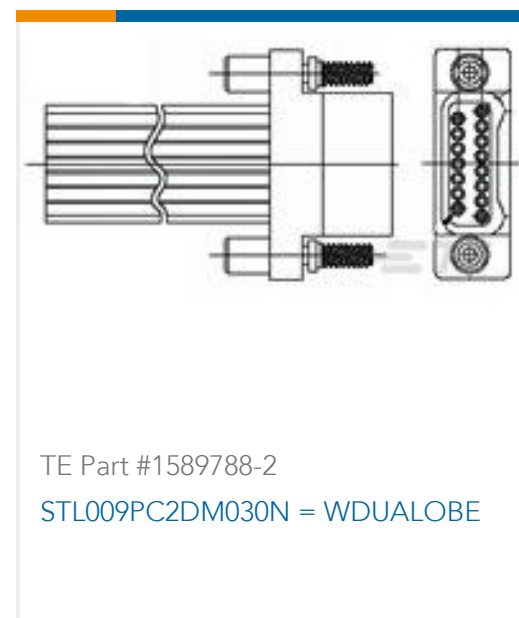
**Product Compliance Disclaimer**

This information is provided based on reasonable inquiry of our suppliers and represents our current actual knowledge based on the information they provided. This information is subject to change. The part numbers that TE has identified as EU RoHS compliant have a maximum concentration of 0.1% by weight in homogenous materials for lead, hexavalent chromium, mercury, PBB, PBDE, DBP, BBP, DEHP, DIBP, and 0.01% for cadmium, or qualify for an exemption to these limits as defined in the Annexes of Directive 2011/65/EU (RoHS2). Finished electrical and electronic equipment products will be CE marked as required by Directive 2011/65/EU. Components may not be CE marked. Additionally, the part numbers that TE has identified as EU ELV compliant have a maximum concentration of 0.1% by weight in homogenous materials for lead, hexavalent chromium, and mercury, and 0.01% for cadmium, or qualify for an exemption to these limits as defined in the Annexes of Directive 2000/53/EC (ELV). Regarding the REACH Regulation, the information TE provides on SVHC in articles for this part number is based on the latest European Chemicals Agency (ECHA) 'Guidance on requirements for substances in articles' posted at this URL: <https://echa.europa.eu/guidance-documents/guidance-on-reach>

**Compatible Parts**



### Customers Also Bought



### Documents



**Product Drawings**

[3082 2320 00](#)

English

---

**Datasheets & Catalog Pages**

[RF Between Series Adapters](#)

English