

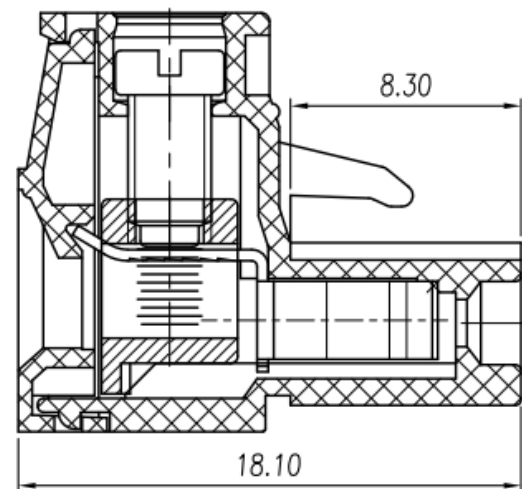
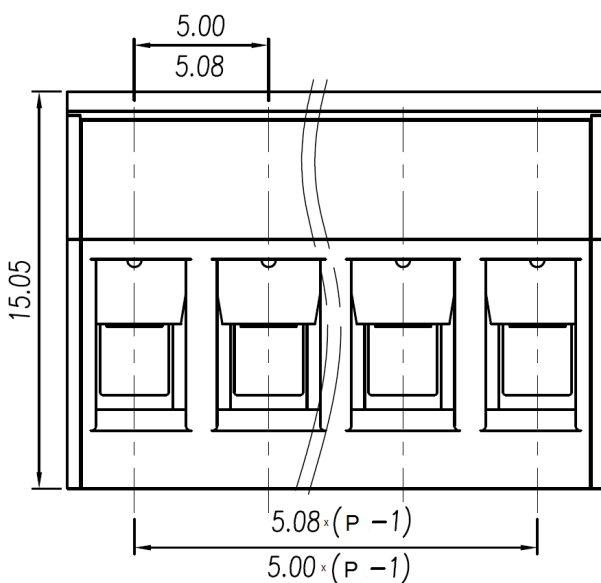
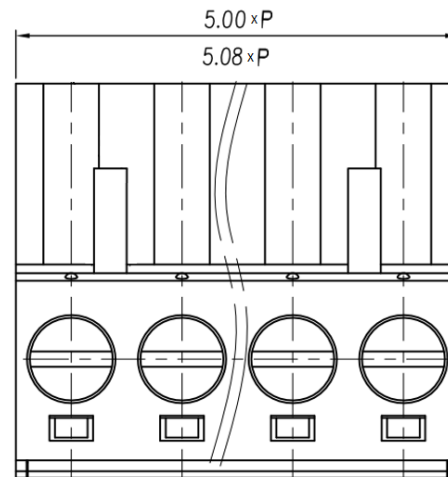
# Terminal Block Plug Rising Clamp 20.950M/xx-E (21.950M/xx-E)

- 300V 15A UL
- UL94-V0
- PA66
- 5.00mm (5.08mm) Pin Pitch
- RoHS Compliant
- xx = Number of Poles (available from 2~24 poles)



## Technical Data

Pitch	5.00mm (5.08mm)
UL Rating	300V 15Amps
IEC Rating	450V 17.5Amps
Solder Pin	Brass, Tin Plated
Wire Range	28-14AWG (0.25-1.5mm <sup>2</sup> )
PCB Hole Diameter	n/a
Screw	M3.0 Steel, Zn Plated
Screw Torque	0.5Nm
Insulation Voltage	AC2000V / 1 Min
Initial Contact Resistance	20MΩ
Insulation Resistance	500MΩ / DC500V
Temperature Range	-40 to +105°C
Max Soldering	+250°C for 5 sec



Dimensions shown in mm      P = No of Poles

Supplied in green as standard  
Other colour options and printing may be available depending upon quantity  
Please contact IMO for further information