

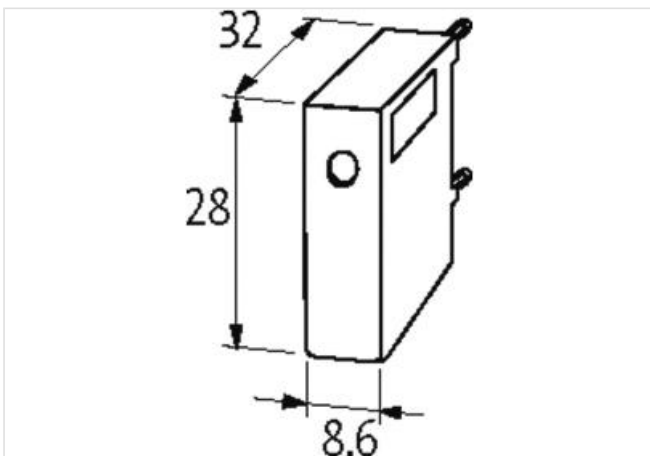
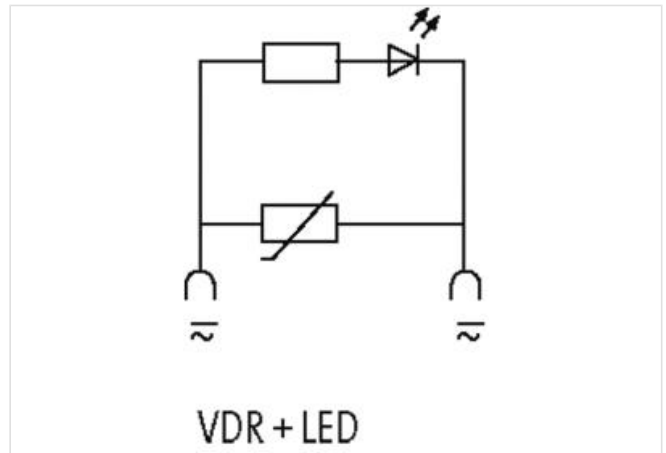
SIEMENS CONTACTOR SUPPRESSOR

Varistor and LED, 24VAC/DC

24 V AC/DC
VDR + LED

[Link to Product](#)

Illustration



Product may differ from Image



Commercial data

ECLASS-6.0	27371013
ECLASS-6.1	27371013
ECLASS-7.0	27371013
ECLASS-8.0	27371013
ECLASS-9.0	27371013
ECLASS-10.1	27371013
ECLASS-11.1	27371013
ECLASS-12.0	27371013

The information in this Product-PDF has been compiled with the utmost care.

Liability for the correctness completeness and topicality of the information is restricted to gross negligence. Version: 2024-05-14

Murrelektronik GmbH | Falkenstr. 3 | 71570 Oppenweiler | Fon +49 (71 91) 47-0 | Fax +49 (71 91) 47-491000 | shop@murrelektronik.de | shop.murrelektronik.de

ETIM-5.0	EC002498
customs tariff number	85363010
GTIN	4048879017602
Packaging unit	1

Compatibility | Compatible with

Appropriate contactors	3 RH 1/11; 3 RT 1/3 RH1; 3 RT 1/10.15...10.17
------------------------	---

Electrical data | Input

Input voltage AC min.	12 V
Input voltage AC max.	70 V
Input voltage DC min.	12 V
Input voltage DC max.	70 V

Mechanical data | Mounting data

Height	28 mm
Width	8,6 mm
Depth	32 mm