

## Retaining Latches · wing grip, one-sided

24101.0232



### Product Description

To be used for door locking, drawers and as handling aid etc.  
The retaining catch is indexing 4 x 90°.

### Material

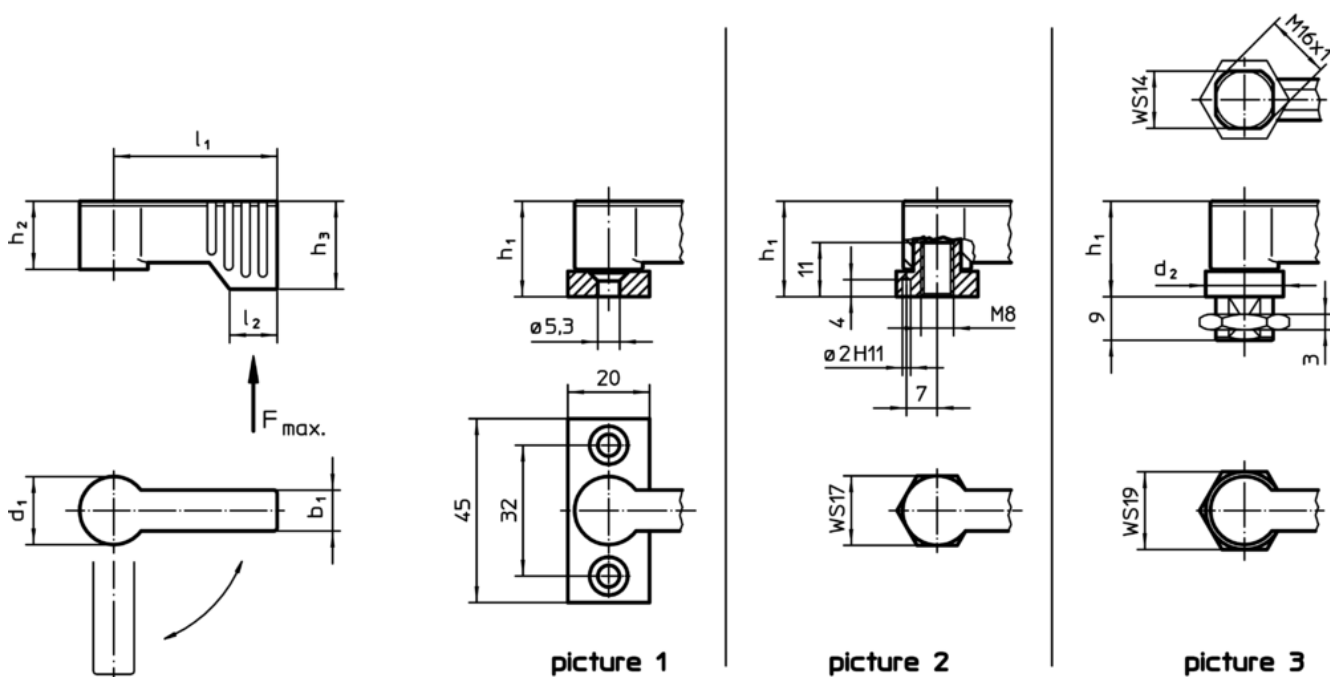
#### Lever

- Zinc die-cast, plastic coated, black, similar to RAL 9005, matt structure

#### Inner parts

- steel
- plastic

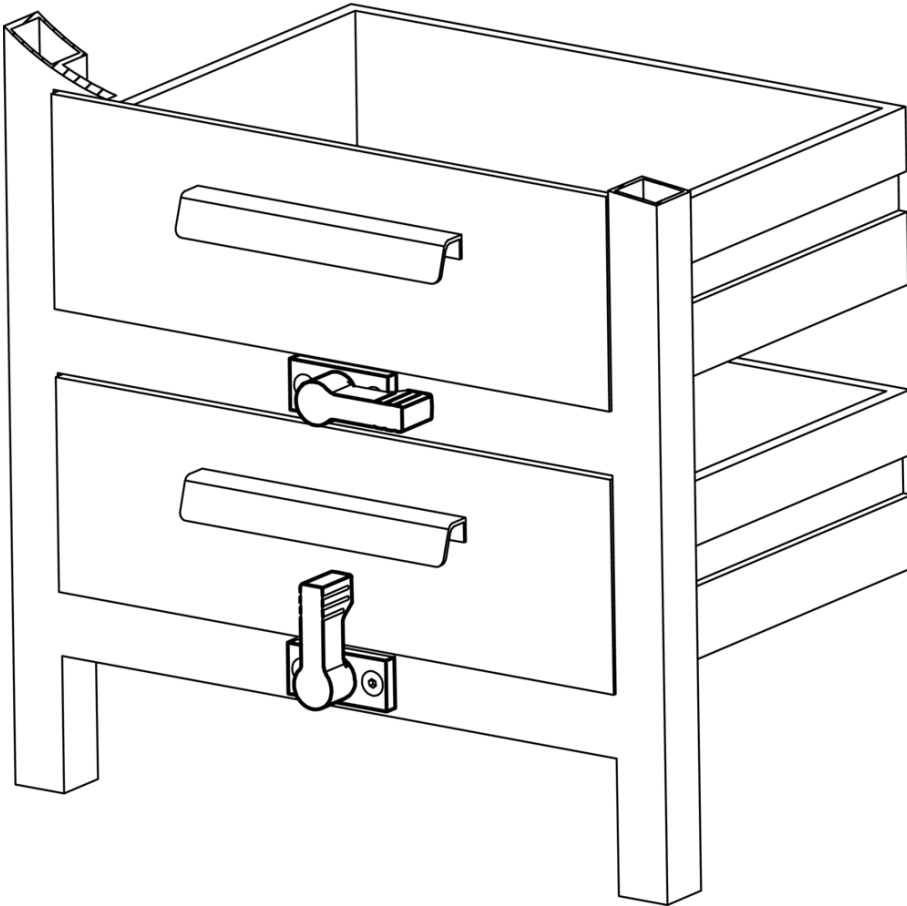
### Drawing



### Order information

Dimensions							Load capacity	Art. No.	
d <sub>1</sub>	l <sub>1</sub>	b <sub>1</sub>	h <sub>1</sub> ~ [mm]	h <sub>2</sub> ~	h <sub>3</sub> min.	l <sub>2</sub>	F max. [N]		[g]
with female thread – picture 2, black									
17	40	10	22	16.5	21.5	11	450	57	24101.0232

## Application example



## Compliance

### RoHS compliant

Compliant according to Directive 2011/65/EU and Directive 2015/863

### Does not contain SVHC substances

No SVHC substances with more than 0.1% w/w contained - SVHC list [REACH] as of 10.06.2022

### Does not contain Proposition 65 substances

No Proposition 65 substances included  
<https://www.P65Warnings.ca.gov/>

### Free from Conflict Minerals

This product does not contain any substances designated as "conflict minerals" such as tantalum, tin, gold or tungsten from the Democratic Republic of Congo or adjacent countries.