

General Purpose Power Relay, Non-Latching, SPST-NO, 5VDC, 12VDC & 24VDC, 10A



DESCRIPTION

General Purpose Micro miniature Non-Latching SPST-NO Power Relays. These general purpose, single pole, through hole mounting power relays are designed for switching control signals within circuits.

DISTINCTIVE FEATURES

- Microminiature Size
- Fully Sealed Construction
- Non-Latching
- SPST-NO Contact Configuration
- Contact Form: 1 Form A
- PCB Mounting

APPLICATIONS

The small dimensions of these micro miniature relays make them suitable for a wide range of applications including automation control, measurement, and industrial equipment.

10A

UL

TUV

CQC

SPST-NO



ELECTRICAL SPECIFICATION

Contact Form	1 Form A (SPST)	
Contact Rating		Resistive: 10A 250VAC
Contact Resistance	Maximum	100mΩ (6VDC 1A)
Insulation Resistance	Minimum	1000MΩ 500VDC
Load	Maximum Switching Voltage	277VAC/30VDC
	Maximum Switching Current	10A
	Maximum Switching Power	2500VA,300W
	Minimum Switching Load	5VDC,100mA
Dielectric Strength	Between open contacts	1,000VAC, 1min
	Between coil and contacts	4,000VAC, 1min

Coil Data

Ambient Temperature: 23°C

Part number	Nominal Voltage VDC	Coil Resistance Ω+/-10%	Operate Voltage ≤VDC	Release Voltage ≥VDC	Coil Power mW
61-6310	5	55.6	3.5	0.5	450
61-6311	12	320	8.4	1.2	450
61-6312	24	1280	16.8	2.4	450



GENERAL SPECIFICATION

Series	Power Relays
Mounting Type	PCB mounting
RoHS	Yes



MATERIALS

Contact Material	Ag Alloy
Outer Case Material	Plastic sealed



CERTIFICATION AND STANDARDS

File Number	Contact Form	Power Consumption	Coil Voltage	Contact rating	Remarks
UL E164730	A	0.45W/0.2W	5-24VDC	10A 250VAC	Ambient Temperature: 85°C
	A	0.45W	5-24VDC	1/3HP 240VAC	Ambient Temperature: 65°C
	A	0.45W/0.2W	5-24VDC	1/4HP 240VAC	Ambient Temperature: 65°C
TUV 50223752	A	0.45W/0.2W	3-24VDC	10A 250VAC	Class F Insulation Ambient Temperature: 85°C
CQC 12002076143	A	0.45W/0.2W	3-24VDC	10A 250VAC	Class F Insulation Ambient Temperature: 85°C

Specifications subject to change without notice.

ISO9001, IATF16949, ISO14001 Approved



ENVIRONMENTAL/OPERATING SPECIFICATION

Life	Electrical Life	100,000 operations
	Mechanical Life	1,000,000 operations
Operate Time	Maximum 10ms	
Release Time	Maximum 5ms	
Operating Temperature	-40°C to +85°C	
Humidity	35~95%RH, +40°C	
Shock Resistance	Endurance	1,000m/s ²
	Misoperation	100m/s ²
Vibration Resistance	Endurance	10~55Hz, 1.5mm double amplitude
	Misoperation	10~55Hz, 1.5mm double amplitude



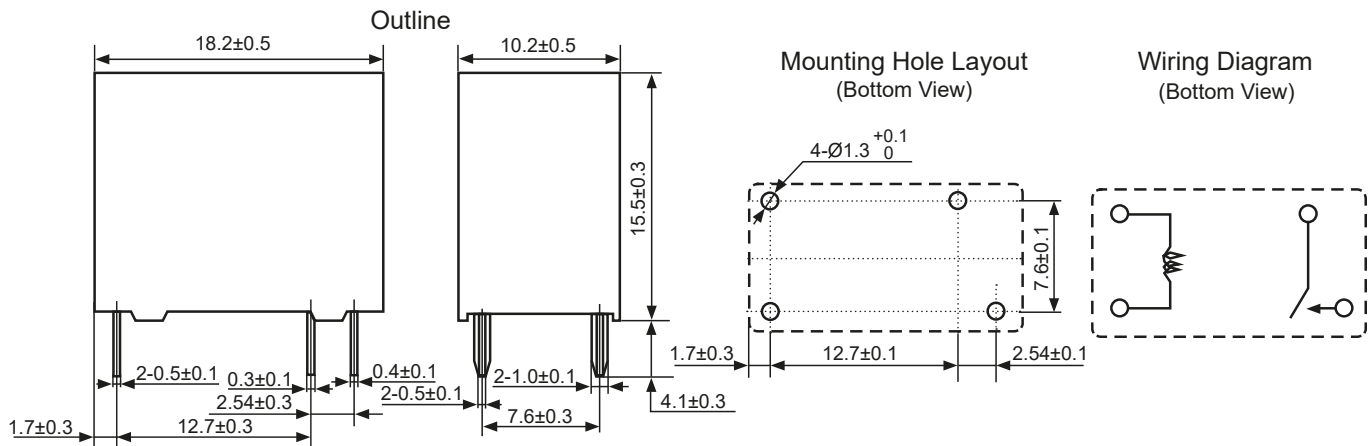
TERMINALS

Terminal Type	Solder pins
Terminal Dimensions	See drawing on page 4



DIMENSIONS/DRAWINGS

Units	mm - unless stated otherwise
Dimensions (Summary)	18.2 × 10.2 × 15.5
Length	18.2
Width	10.2
Height (Excluding pins)	15.5
Weight	6g (approx.)



OPTIONS (MOQ may apply)

Also available with a Coil Voltage of 6 & 9V in 1 Form A.



PART NUMBER TABLE

Part number	Nominal Coil Voltage	UNSPSC	EAN	Country of Origin
61-6310	5VDC	39122325	5053556019021	China
61-6311	12VDC	39122325	5053556019038	China
61-6312	24VDC	39122325	5053556019045	China

For further information on pricing, delivery, and long-term stock agreements please contact your local business development person, telephone our main office on **01206 838000** or email **Sales@Rapidonline.com**.