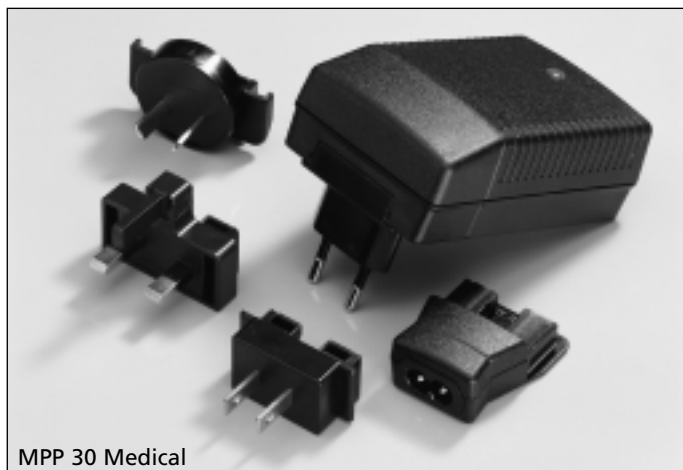
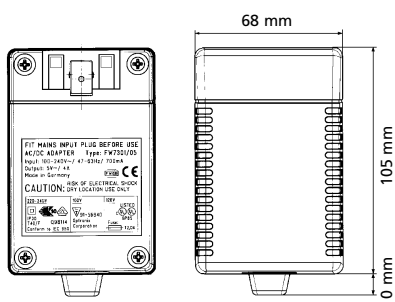
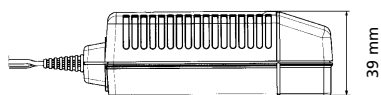


Switchmode Power Supplies MPP 30 Medical

30 Watt



MPP 30 Medical


Output data
Worldwide

DC Voltage	Current	Ripple vol.	Part No.
5 V	4000 mA	75 mV pp	15.1437
6 V	3600 mA	75 mV pp	15.1438
7.5 V	3300 mA	75 mV pp	15.1439
9 V	3000 mA	90 mV pp	15.1440
12 V	2500 mA	100 mV pp	15.1441
15 V	2000 mA	100 mV pp	15.1442
18 V	1660 mA	120 mV pp	15.1443
24 V	1250 mA	120 mV pp	15.1444

■ Technical data

Input voltage	100 - 240 V
Input current	700 mA
Frequency	50 - 60 Hz
Efficiency	80% typ. at full load
Output voltage tolerance	± 10%
Leakage current	< 10 µA

■ Environmental specification

Operating temp.	0° C to 40° C at maximum load
Storage temp.	-40° C to 70° C
Humidity	5% to 95% non condensing
Input Transient Susceptibility	Complies with IEC 61000 requirements

■ Safety specification

Standards	IEC 60601-1 and UL 2601
------------------	-------------------------

■ Reliability specification

MTBF calculation	200,000 hours at maximum load levels and an ambient temperature of 25°C (in correspondence with MIL-HDBK-217)
-------------------------	---

■ LED Indicator

Green = on

■ Mechanical and packing specification

Plug connector	FRIWO exchangeable mains plug system:
AC input	EURO, UK, USA/Japan, Australia, ROW
Units per Box	40
Weight per Unit	248 g
Dimensions of outer box	415 x 320 x 320 mm
Outer boxes per pallet	24
Total weight of full pallet	300 kg

FRIWO Gerätebau GmbH
P.O. Box 11 64
D-48342 Ostbevern
Tel + 49 (0) 25 32/81-0
Fax + 49 (0) 25 32/81-112
sales@friwo.de
www.friwo.de

FRIWO EMC, Inc.
707 Hathaway Drive
Colorado Springs
CO 80915
Tel (719) 597-1620
Fax (508) 597-1628
sales@friwoemc.com
www.friwo.com

FRIWO Far East Ltd.
Unit 4212-4224, Level 42,
Metroplaza Tower 1,
223 Hing Fong Road,
Kwai Fong, N.T., Hong Kong
Tel (852) 2429 0388
Fax (852) 2422 1589
sales@friwo.com.hk
www.friwo.com.hk

FRIWO Japan Co., Ltd.
OPT Bldg. 1/2 F
1-24-11 Sugamo
Toshima-ku,
Tokyo 170-0002 Japan
Tel + 81-3-59 78-33 35
Fax + 81-3-59 78-30 73
friwo@friwojp.com

FRIWO do Brasil
Rua Domingos Rodrigues,
342 cj 122/123
05075-000 Sao Paulo SP
Tel (5511) 3833-1882
Fax (5511) 3833-9429
friwo@friwo.com.br
www.friwo.com.br

Member of CEAG AG
www.ceag-ag.com