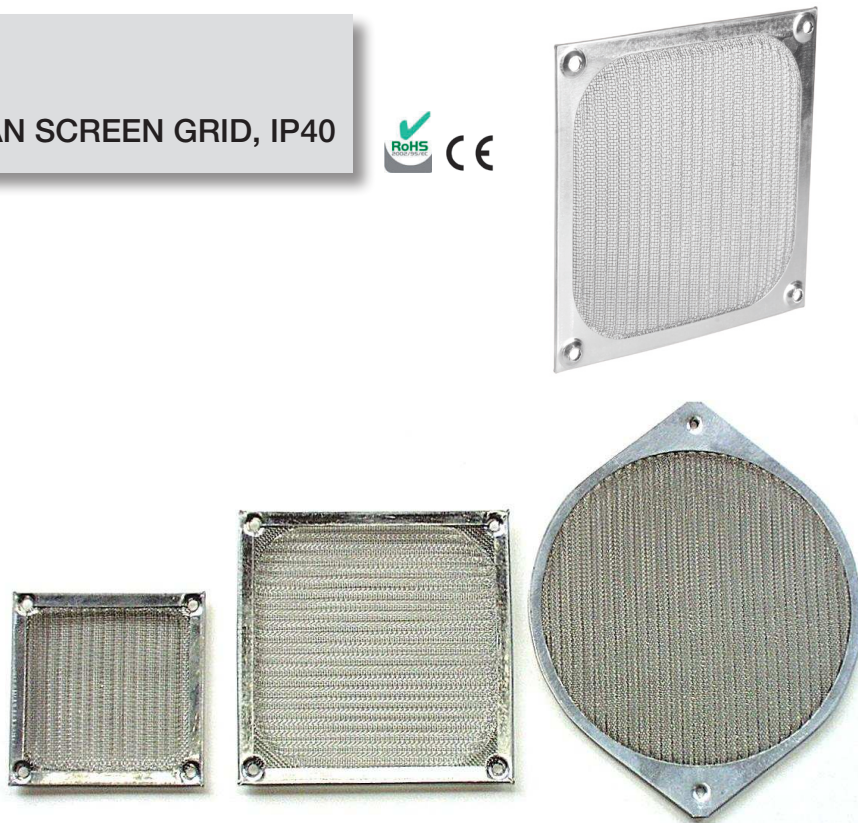
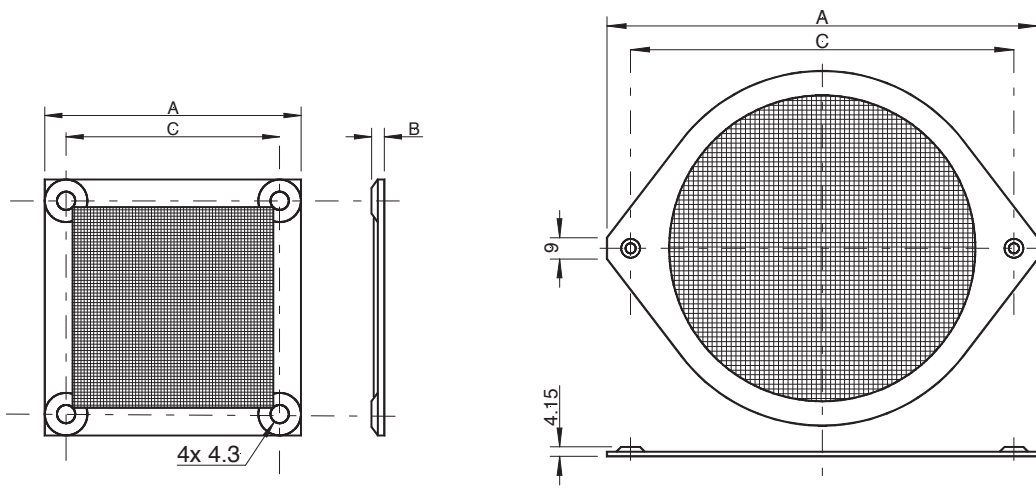


FMxxx

EMC FAN SCREEN GRID, IP40



- IP40 fan screen for standardized axial fan sizes 60x60mm up to 172x150 and Ø172mm.
- Protection against moving parts plus EMC shielding.
- Material frame: Aluminium
- Material screen: Stainless steel



Type	Model No.	Description	Dimension A [mm]	Dimension B [mm]	Dimension C [mm]	BOX QU [PCs]
FM60	936010400	EMC Screen Grid	60	4.3	50.0	100
FM80	938010400	EMC Screen Grid	80	4.3	71.4	100
FM92	939210400	EMC Screen Grid	92	4.3	82.5	100
FM120	931210400	EMC Screen Grid	120	4.3	104.8	100
FM150	931510400	EMC Screen Grid	182	4.3	162.0	100

Technical changes without notice • 09/10