



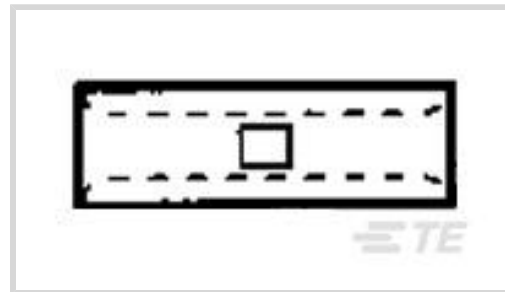
SOLISTRAND

TE Internal #: 323755

Splices, Splice, Splice, 12 – 10AWG Wire Size, 3 – 6mm² Wire Size, Standard, Barrel Inside Diameter .129 in [3.28 mm], 5180 – 13100CMA Wire Size

[View on TE.com >](#)

Terminals & Splices > Splices



Splice Product Type: **Splice**

Terminal & Splice Type: **Splice**

Wire Size: **3 – 6 mm²**

Sealable: **No**

Features

Product Type Features

Splice Product Type	Splice
Sealable	No
Splice Type	Butt Splice
Serrated	Yes
Splice Accessory Type	Splice
Splice Barrel Type	Closed Barrel
Splice Wire/Cable Type	Copper
Insulated	No
Support Style	Non - Insulation Support

Body Features

Weight per Piece	4.416 g
Plating Material	Nickel
Splice Features	Standard
Splice Material	Copper

Contact Features

	300 μin
Contact Plating Material	Nickel
Terminal & Splice Type	Splice

Mechanical Attachment



Wire Insulation Support	Without
-------------------------	---------

Dimensions

Outside Diameter	5.74 mm[.226 in]
Wire Size	5180 – 13100 CMA
Barrel Inside Diameter	3.28 mm[.129 in]
Splice Material Thickness	.99 mm[.039 in]
Splice Overall Length	14.35 mm[.565 in]

Usage Conditions

Insulation Requirement	Uninsulated
High Temperature Rating	343 °C[650 °F]
Operating Temperature Range	343 °C[650 °F]

Operation/Application

Heavy Duty	No
------------	----

Industry Standards

Government Qualified Splice	No
-----------------------------	----

Packaging Features

Packaging Quantity	500
Splice Packaging Method	Loose Piece

Other

Military Category	No
-------------------	----

Product Compliance

[For compliance documentation, visit the product page on TE.com>](#)

EU RoHS Directive 2011/65/EU	Compliant
EU ELV Directive 2000/53/EC	Compliant
China RoHS 2 Directive MIIT Order No 32, 2016	No Restricted Materials Above Threshold
EU REACH Regulation (EC) No. 1907/2006	Current ECHA Candidate List: JAN 2021 (211) Candidate List Declared Against: JAN 2021 (211) Does not contain REACH SVHC
Halogen Content	Low Halogen - Br, Cl, F, I < 900 ppm per homogenous material. Also BFR/CFR/PVC Free

Solder Process Capability

Not applicable for solder process capability

Product Compliance Disclaimer

This information is provided based on reasonable inquiry of our suppliers and represents our current actual knowledge based on the information they provided. This information is subject to change. The part numbers that TE has identified as EU RoHS compliant have a maximum concentration of 0.1% by weight in homogenous materials for lead, hexavalent chromium, mercury, PBB, PBDE, DBP, BBP, DEHP, DIBP, and 0.01% for cadmium, or qualify for an exemption to these limits as defined in the Annexes of Directive 2011/65/EU (RoHS2). Finished electrical and electronic equipment products will be CE marked as required by Directive 2011/65/EU. Components may not be CE marked. Additionally, the part numbers that TE has identified as EU ELV compliant have a maximum concentration of 0.1% by weight in homogenous materials for lead, hexavalent chromium, and mercury, and 0.01% for cadmium, or qualify for an exemption to these limits as defined in the Annexes of Directive 2000/53/EC (ELV). Regarding the REACH Regulation, the information TE provides on SVHC in articles for this part number is based on the latest European Chemicals Agency (ECHA) 'Guidance on requirements for substances in articles' posted at this URL: <https://echa.europa.eu/guidance-documents/guidance-on-reach>

Compatible Parts



REPRESENTATION ONLY

TE Part # 46447
 DAHT STRATO 22-10 ASSY

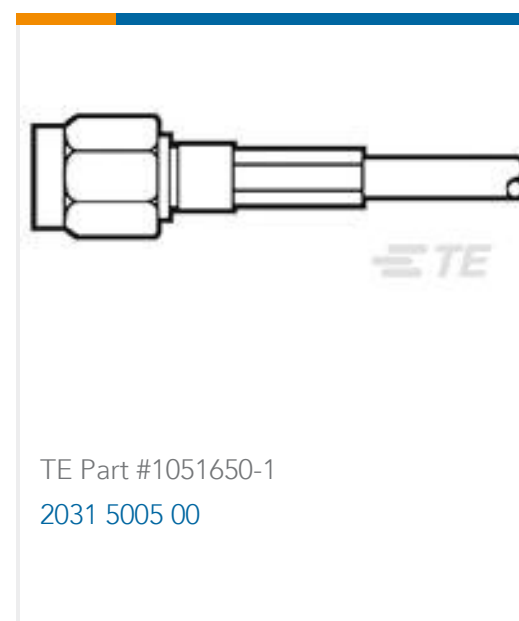
Customers Also Bought



TE Part #1056443-1
 2831 7388 02



TE Part #204511-1
 AMPLIMITE,ASY,PLUG,STD,90,6



TE Part #1051650-1
 2031 5005 00



TE Part #1051654-1
 2031 5006 00 KIT, OSM STR PLUG



TE Part #YDTS20W11-35SNV001
 D38999: Square Flange, 11-35 insert



TE Part #172774-1
 MULTILOCK, RECEPTACLE AND TAB



TE Part #1056462-1
 2837 7388 02



TE Part #1052071-1
 2037 5007 00,SMA RA CABLE PLUG



TE Part #1052075-1
[2037 5008 00,SMA RA CABLE PLUG](#)



TE Part #1452990-1
[76 POS COVER ASSY](#)

Documents

Product Drawings

[TERM, SPLC, BUTT, STRAT, SOLIS, HR 12-10](#)

English

CAD Files

[3D PDF](#)

3D

Customer View Model

[ENG_CVM_CVM_323755_F.2d_dxf.zip](#)

English

Customer View Model

[ENG_CVM_CVM_323755_F.3d_igs.zip](#)

English

Customer View Model

[ENG_CVM_CVM_323755_F.3d_stp.zip](#)

English

By downloading the CAD file I accept and agree to the [Terms and Conditions](#) of use.

Datasheets & Catalog Pages

[RADIATION_RESISTANT_PRE-INSULATED_TERMINALS_SPLICES](#)

English

[STRATO-THERM Terminals & Splices for High Temperature Applications](#)

English